
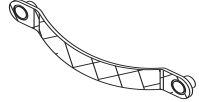

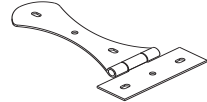
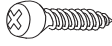


A x 34  Ø8x30mm

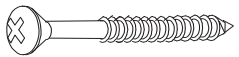
L x 6 

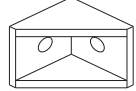
B x 6  Ø8x50mm

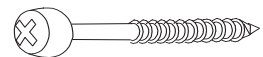
M x 9 

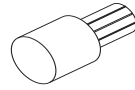
C x 122  Ø3,5x14mm


N x 6  Na Nb

D x 42  Ø3,5x30mm

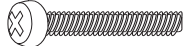
O x 17 


E x 6  Ø4,0x35mm


P x 12 

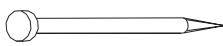
F x 15  Ø4,5x50mm

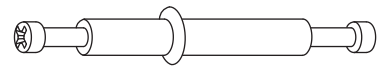
Q x 4 


G x 12  ØM4x16mm


R x 2 

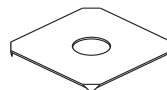
H x 20 


S x 70 

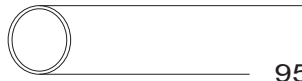
I x 3 


T x 1  1715mm

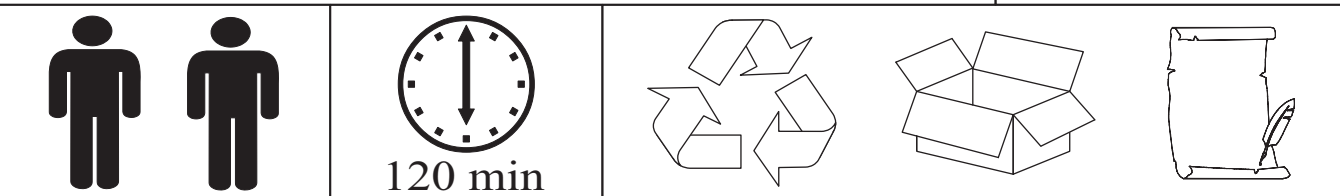
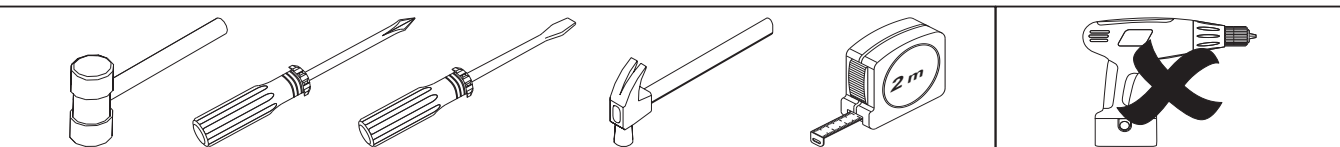
J x 18 

U x 12 



K x 8 

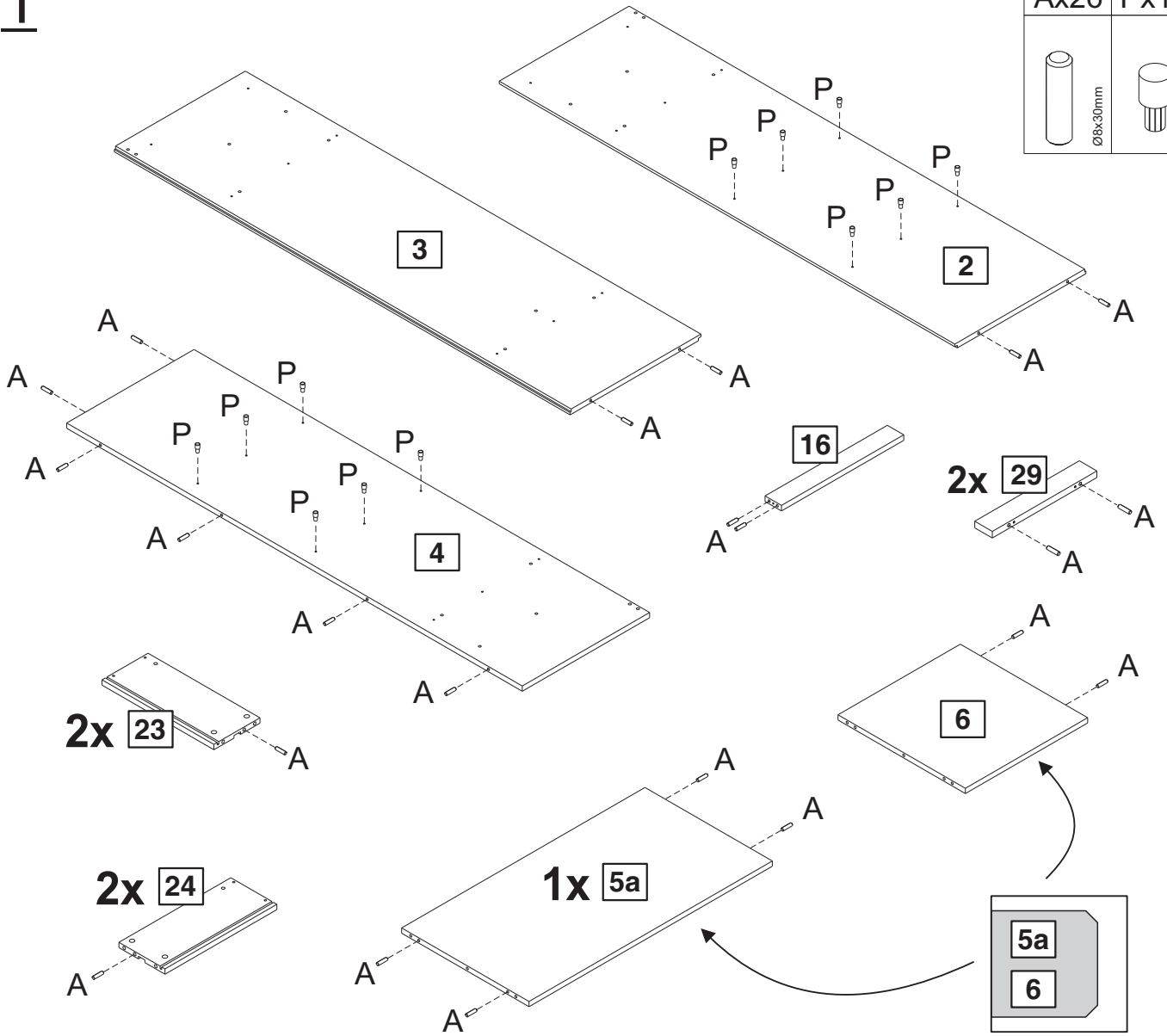
V x 1  956mm

X x 2 





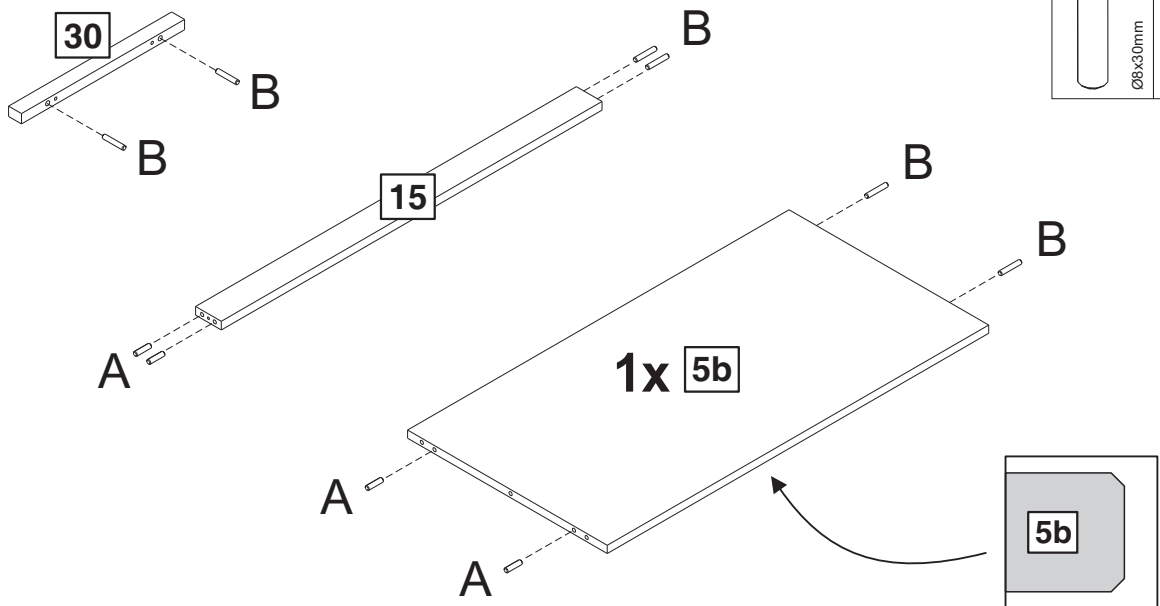
1

Ax26	Px12
	
Ø8x30mm	

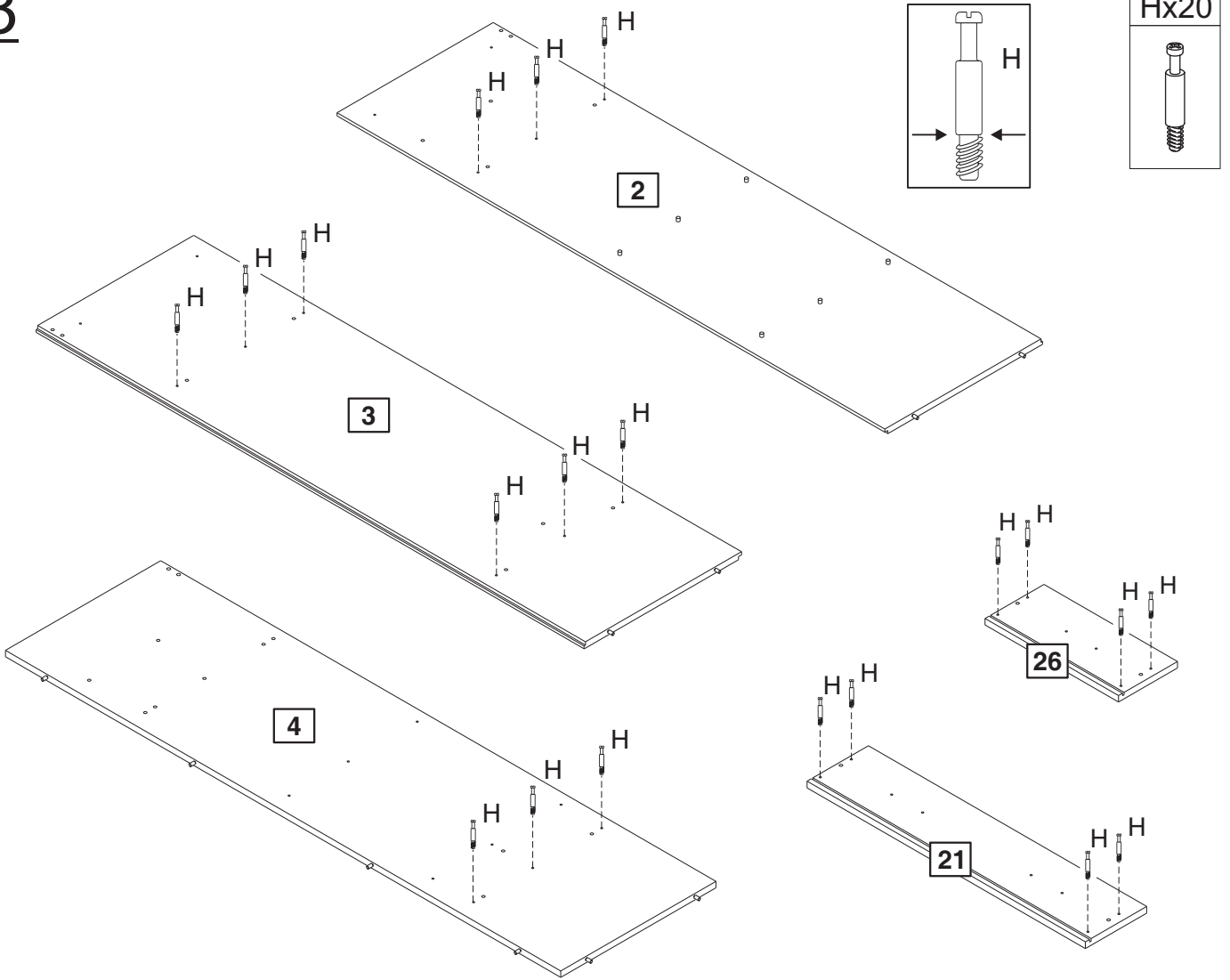


2

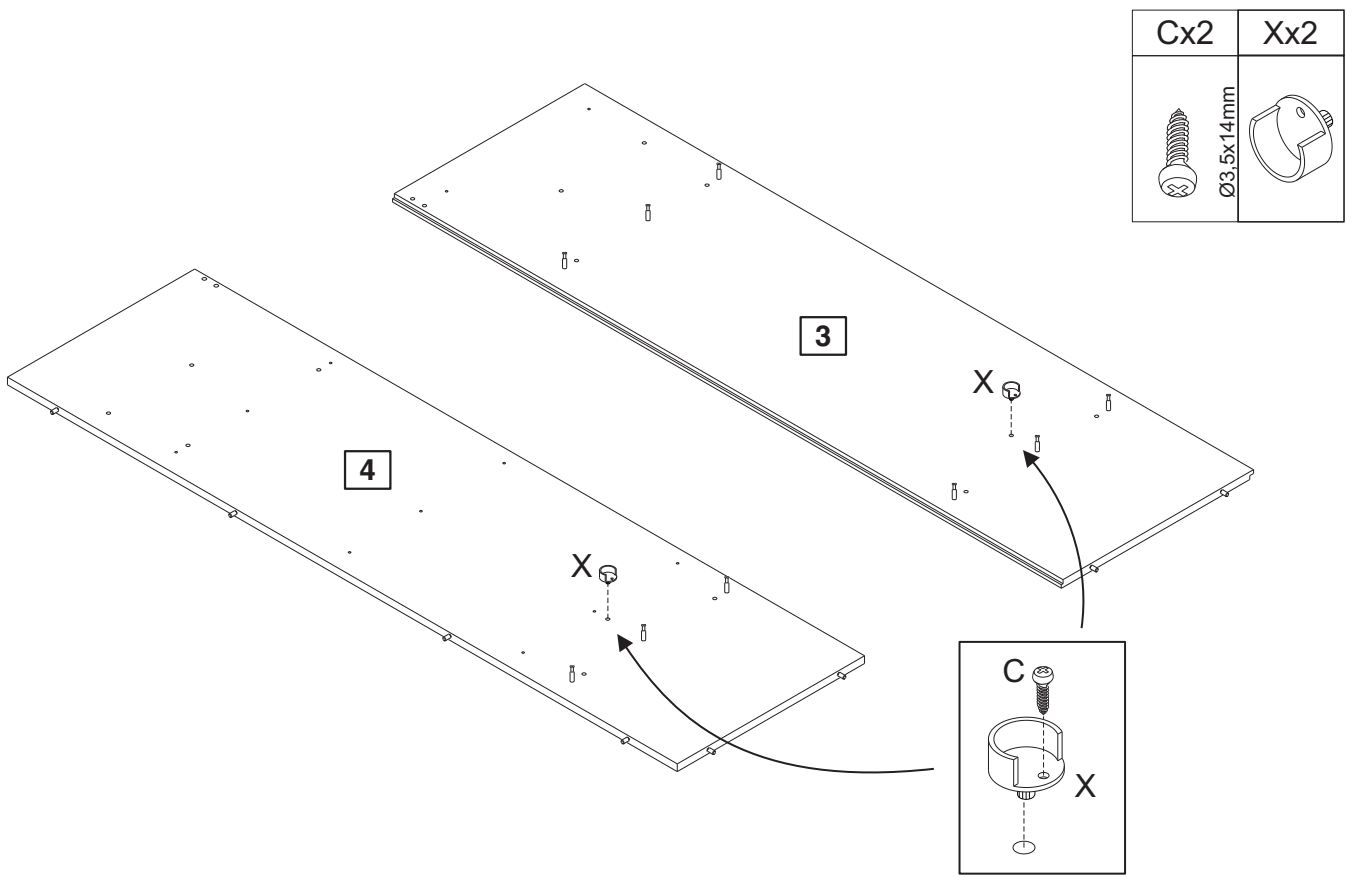
Ax4	Bx6
	
Ø8x30mm	
Ø8x50mm	



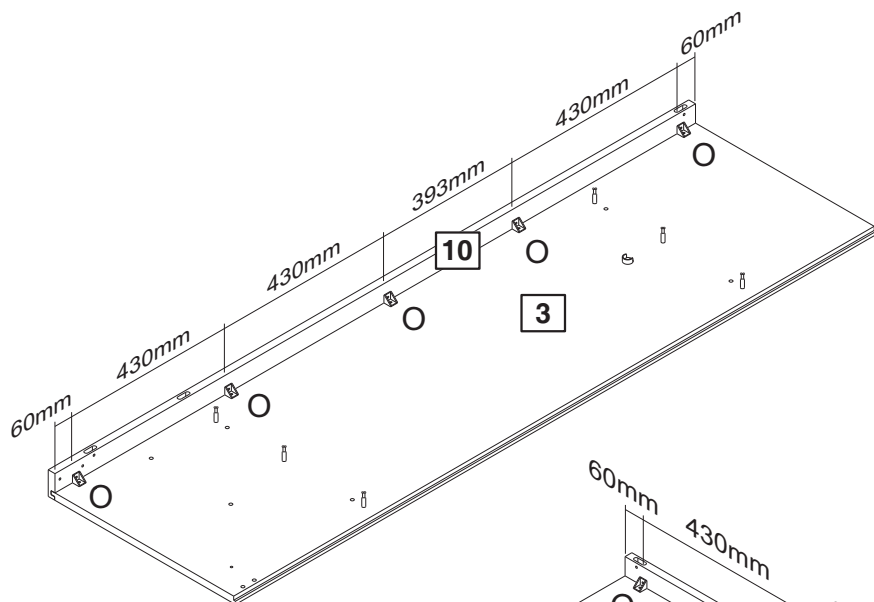
3


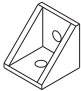


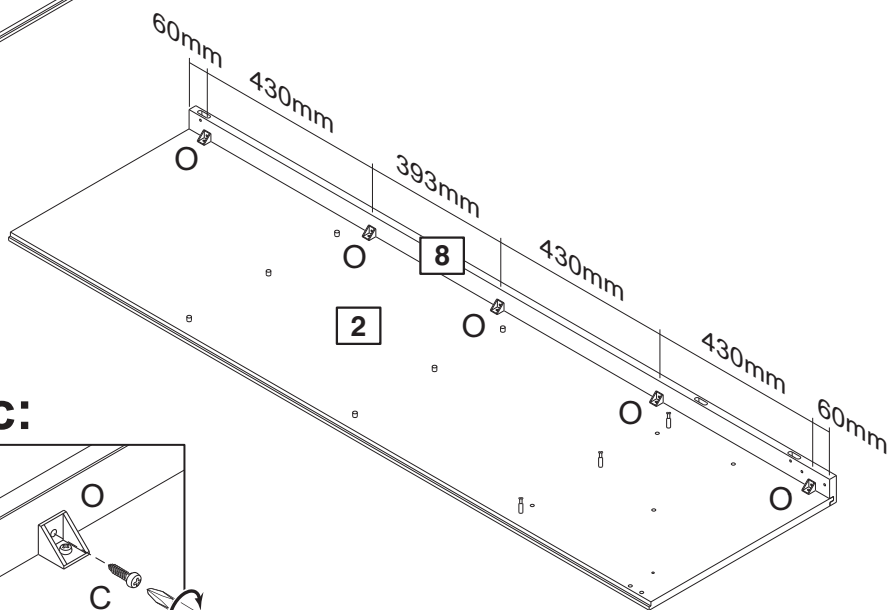
4



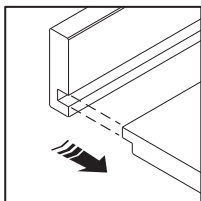
5



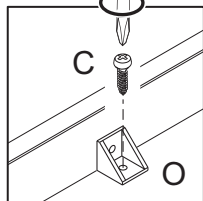
Cx20	Ox10
	
Ø3.5x14mm	



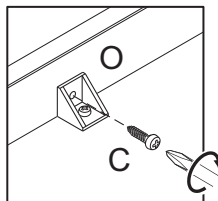
a:



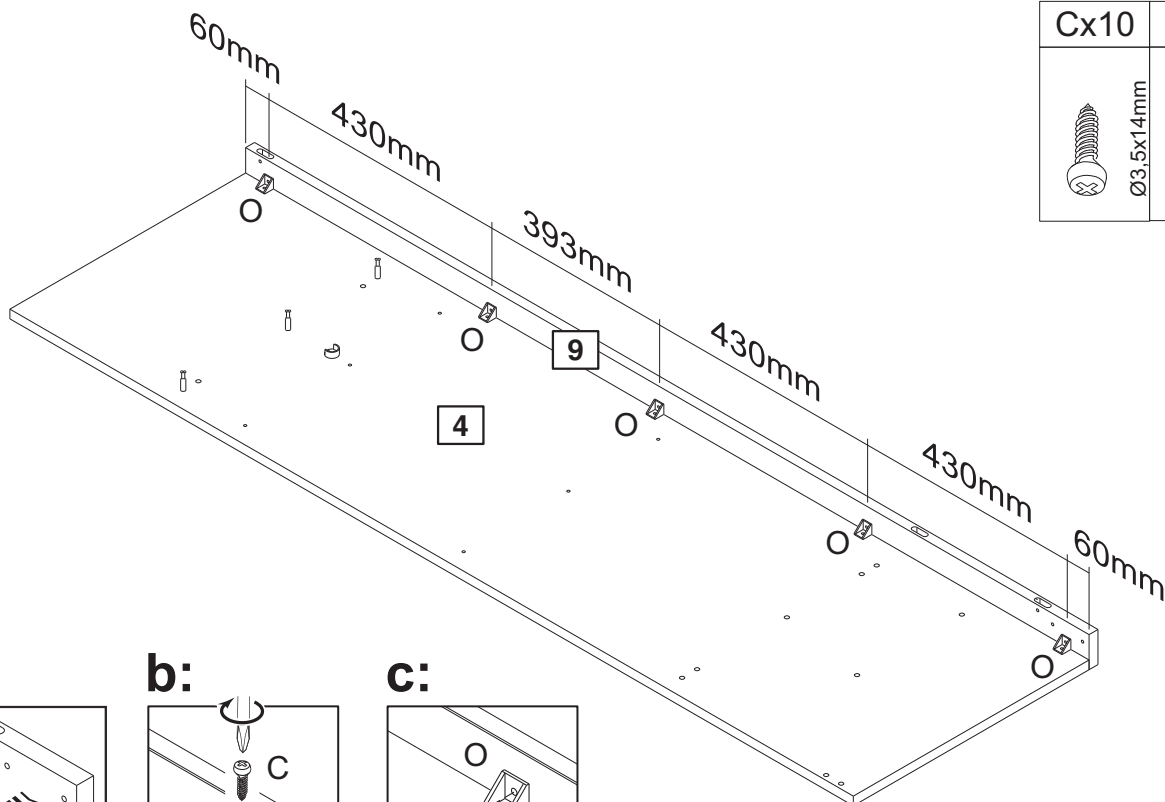
b:


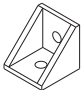


c:

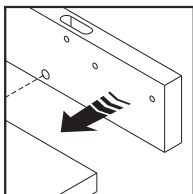


6

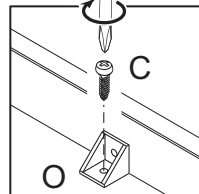


Cx10	Ox5
	
Ø3.5x14mm	

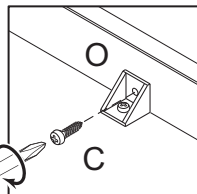
a:



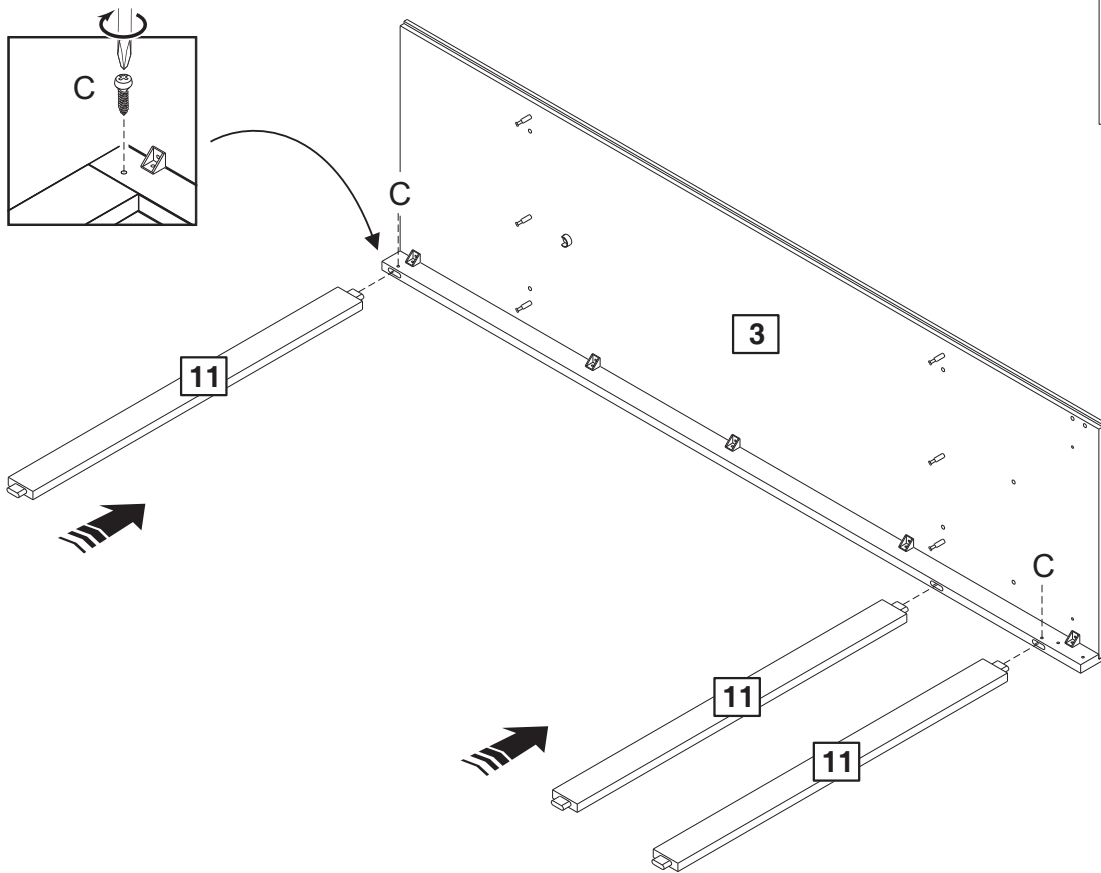
b:



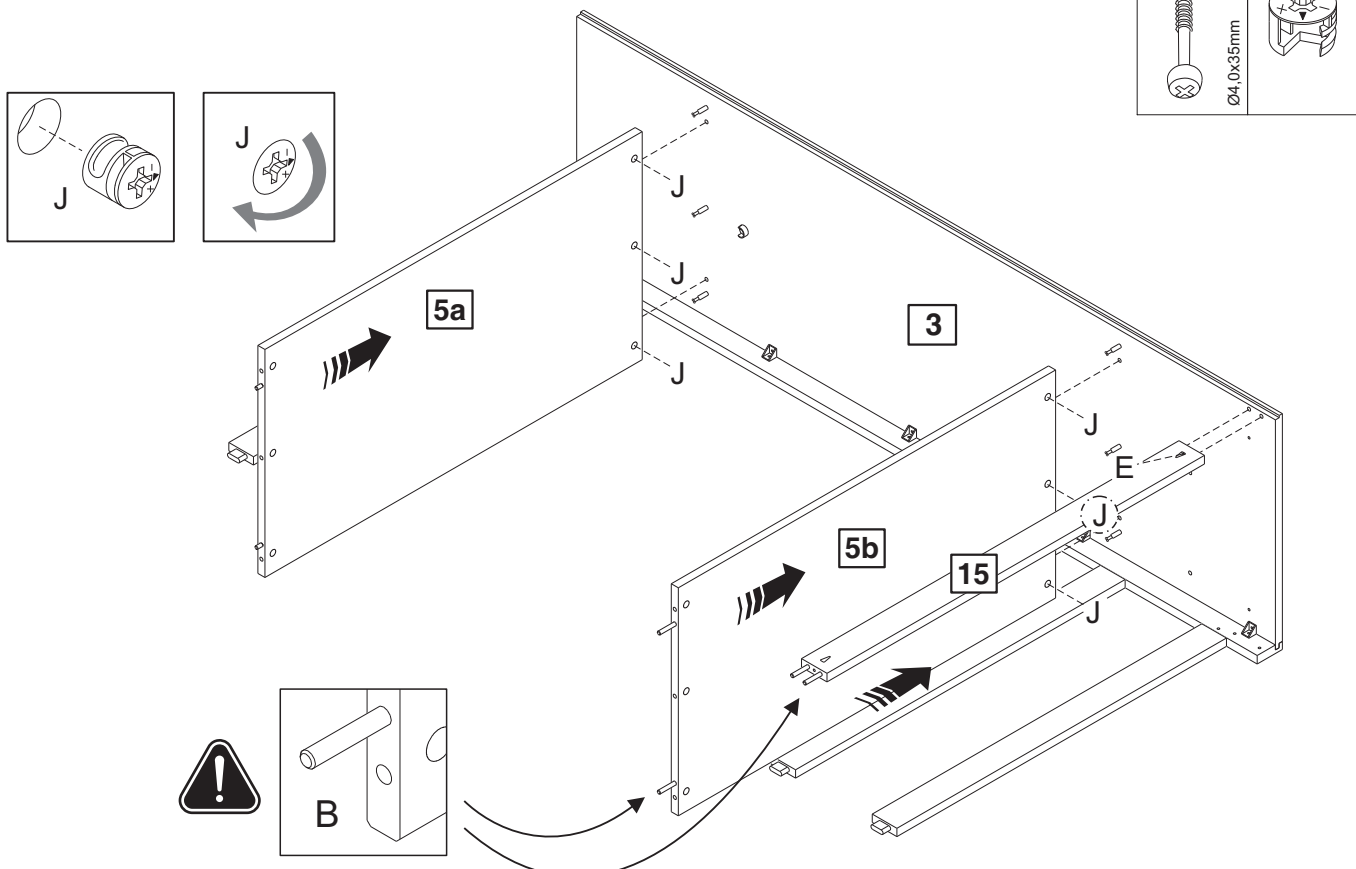
c:







7

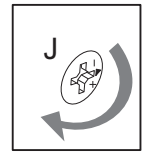
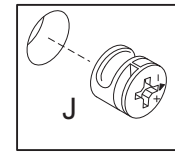
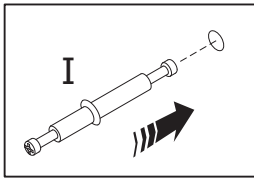
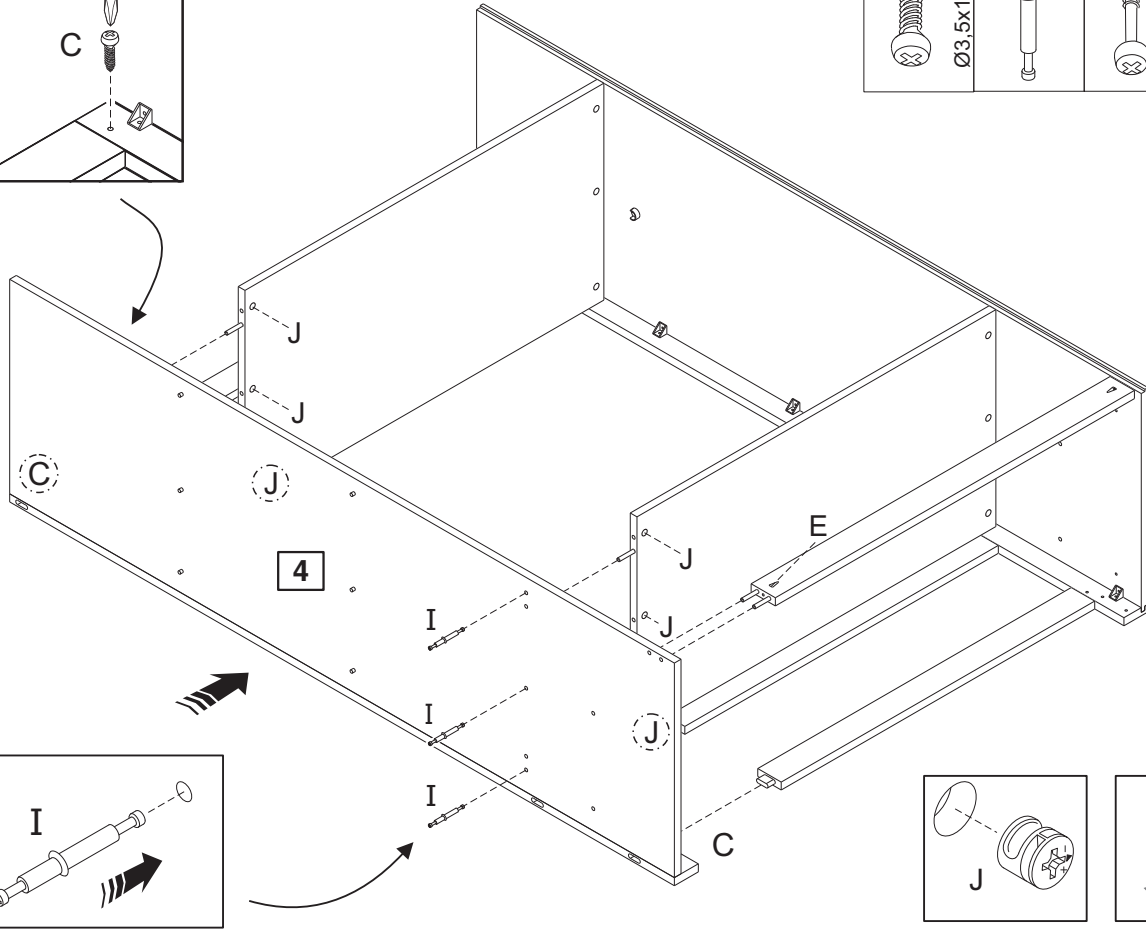
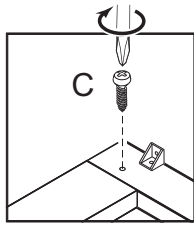


8

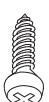
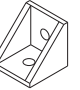


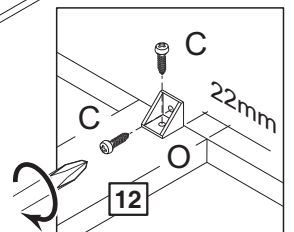
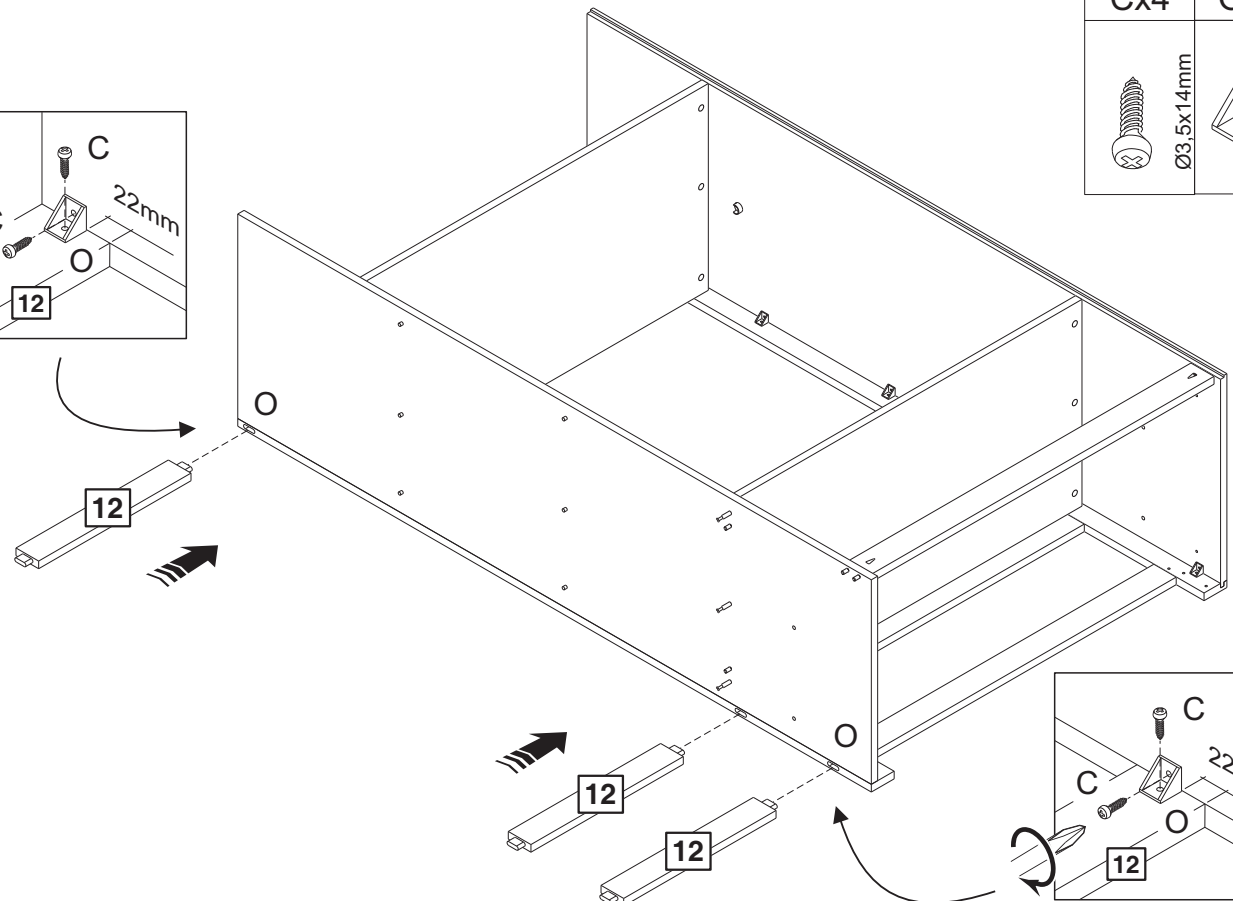
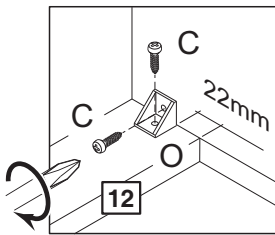
9

Cx2	Ix3	Ex1	Jx6
 Ø3.5x14mm		 Ø4, 0x35mm	





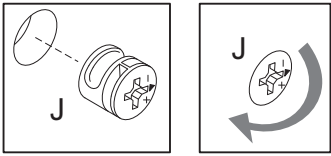
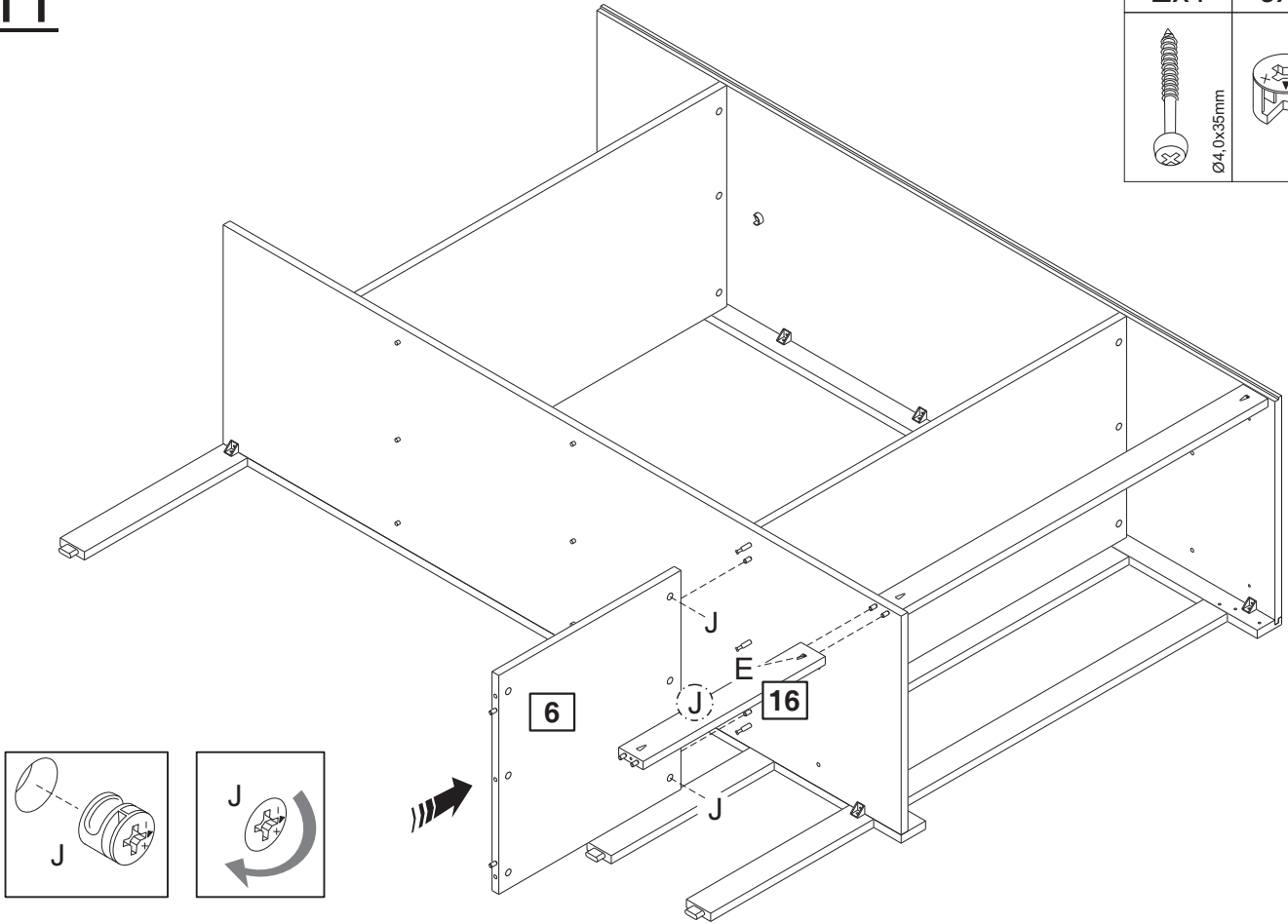
10

Cx4	Ox2
 Ø3.5x14mm	






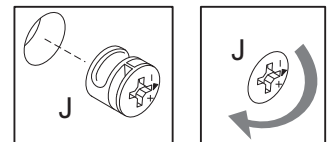
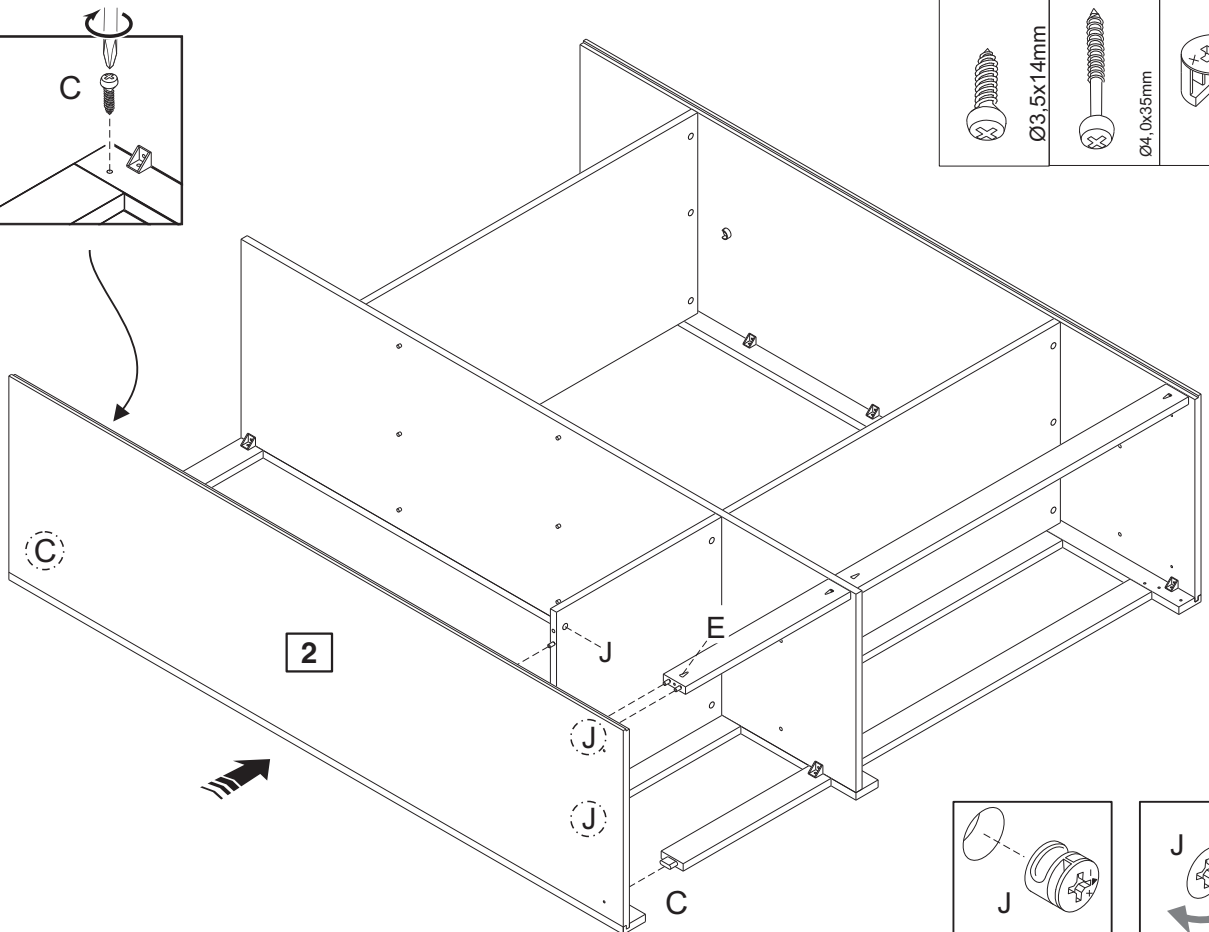
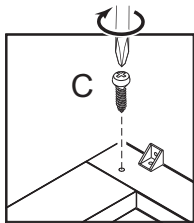
11

Ex1	Jx3
	
Ø4,0x35mm	

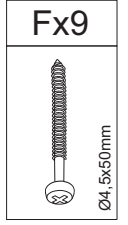
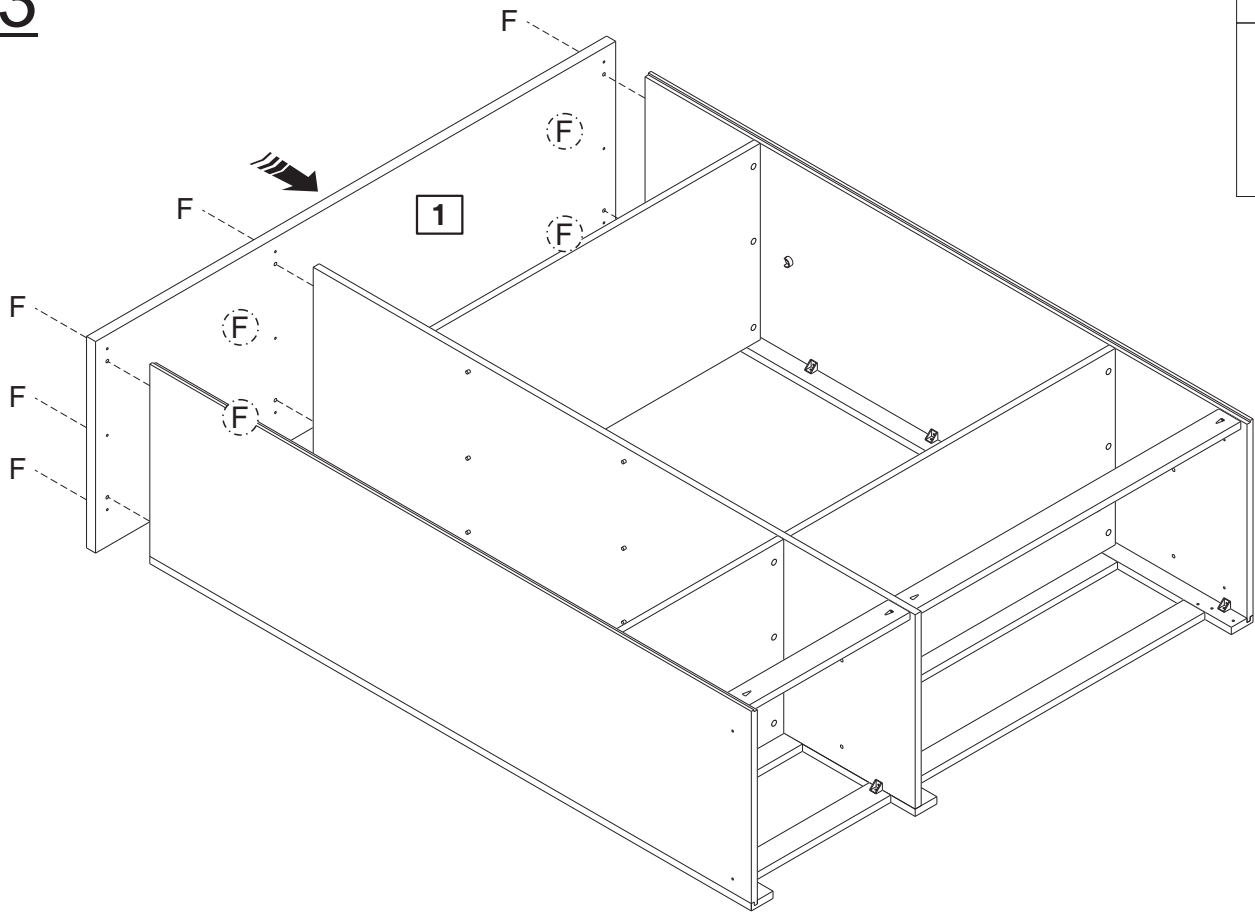


12

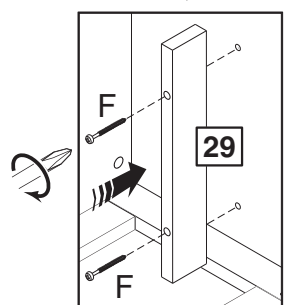
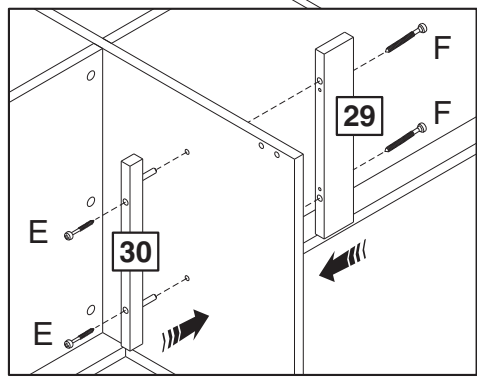
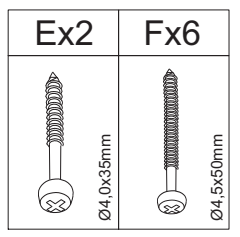
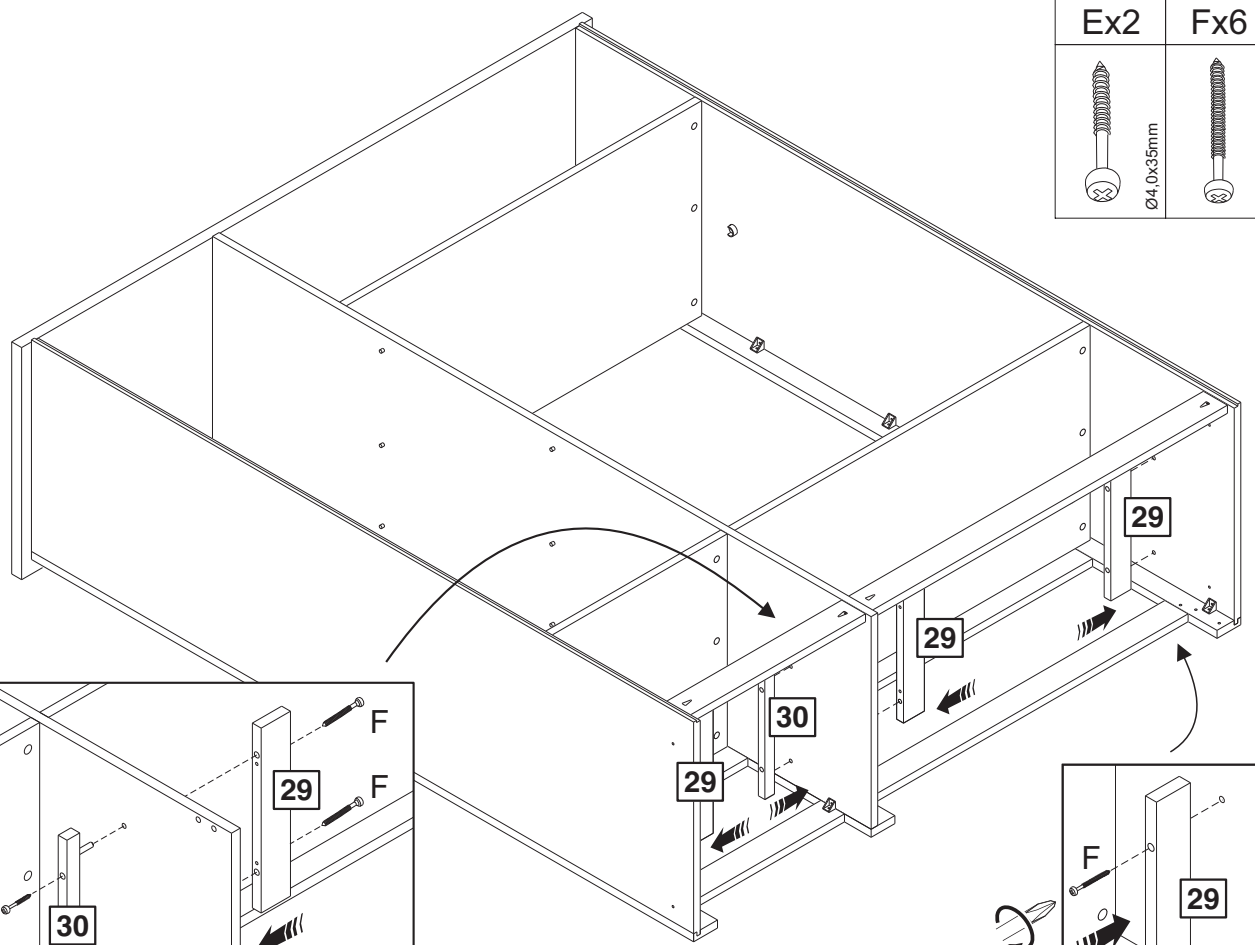
Cx2	Ex1	Jx3
		
Ø3,5x14mm	Ø4,0x35mm	



13

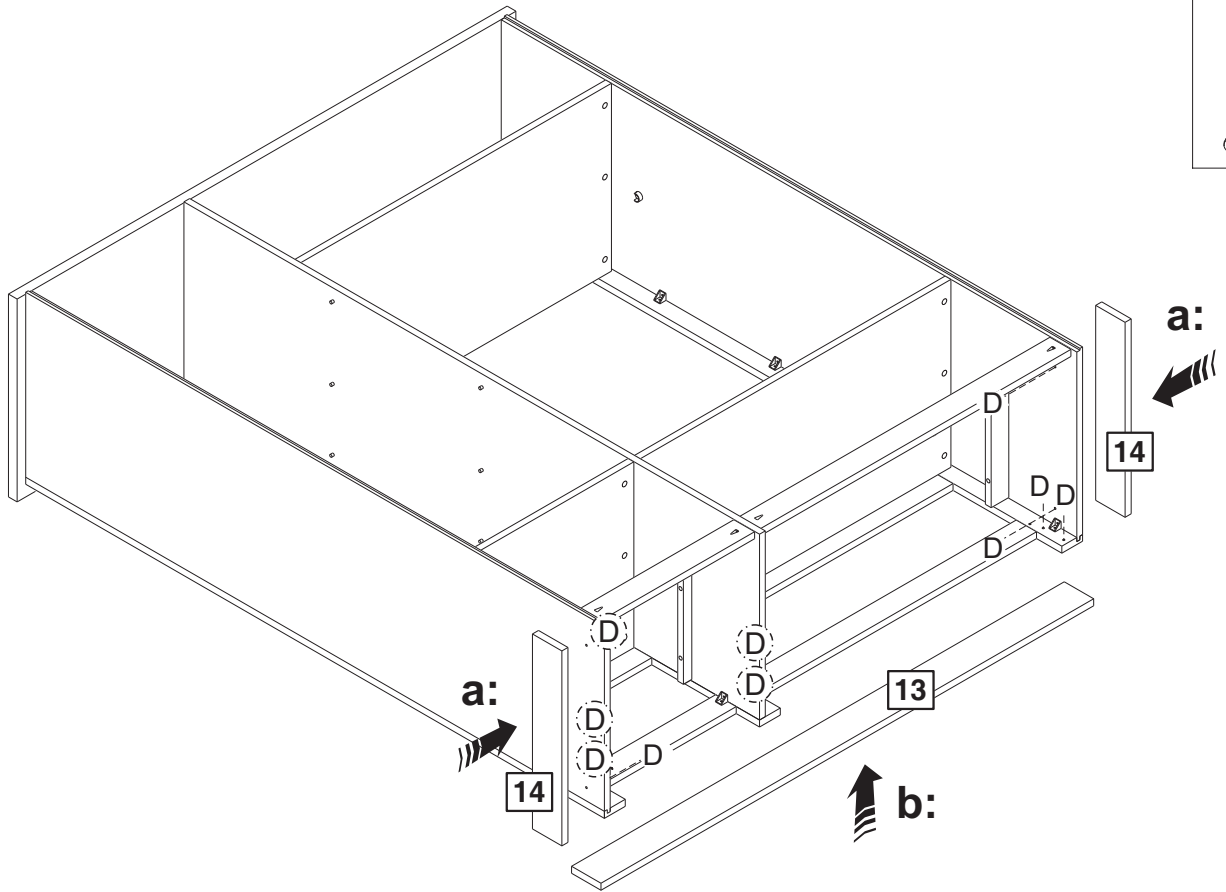
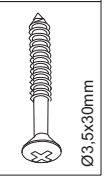


14



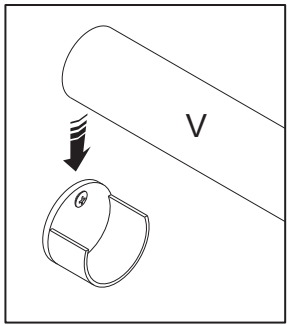
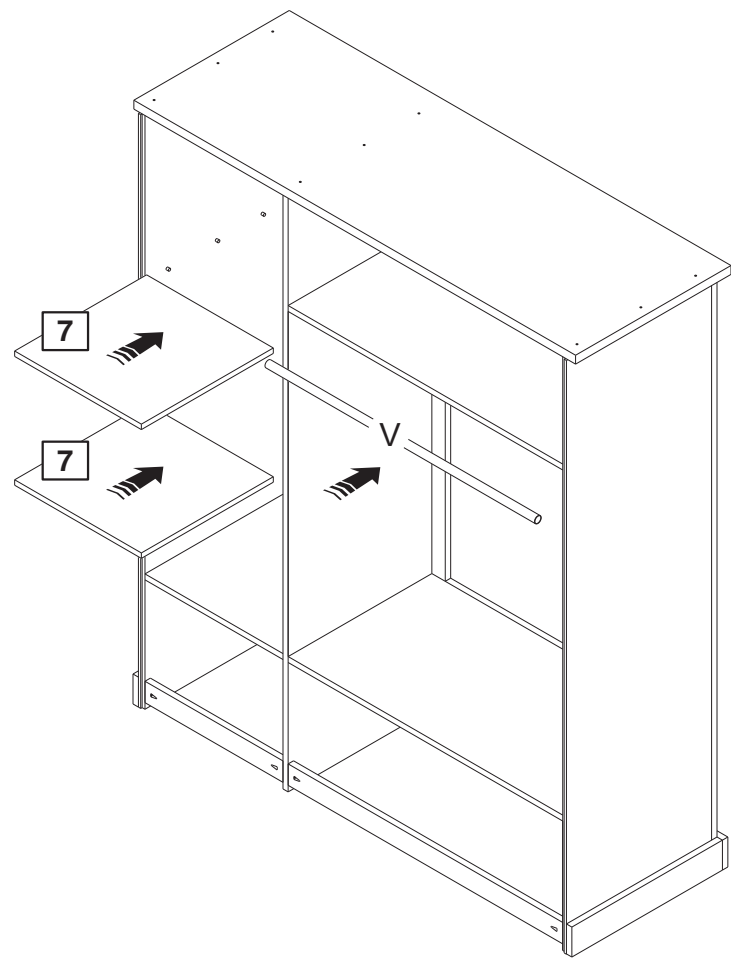
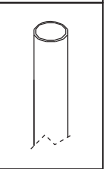
15

Dx10






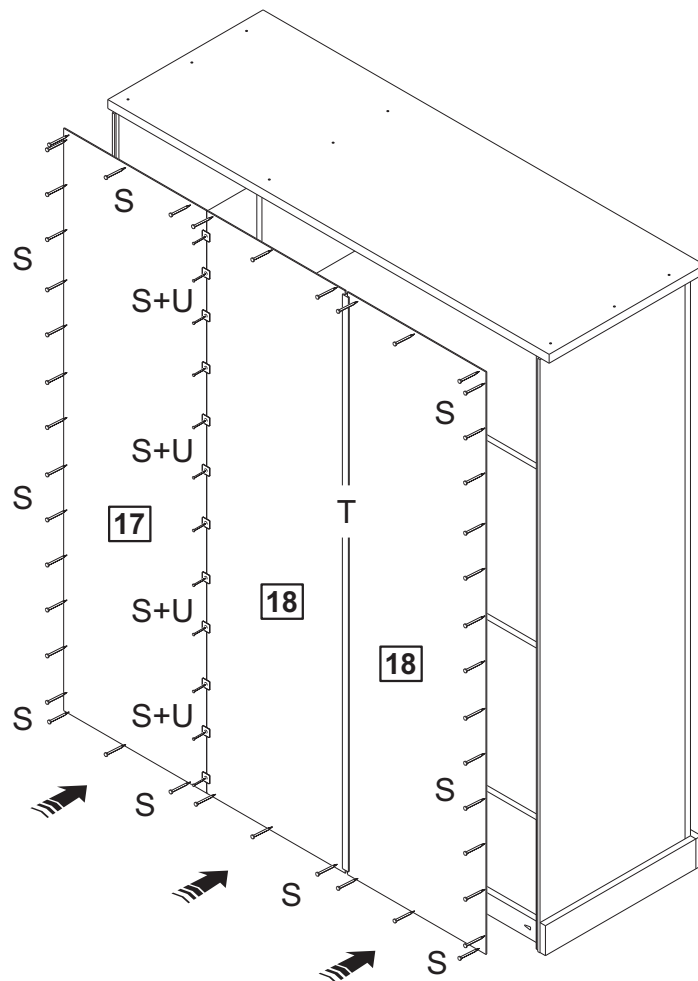
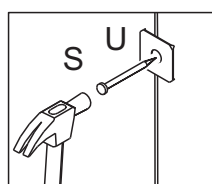
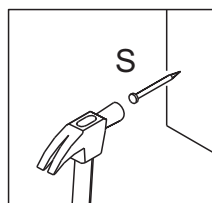
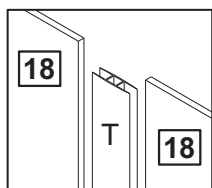
16

Vx1






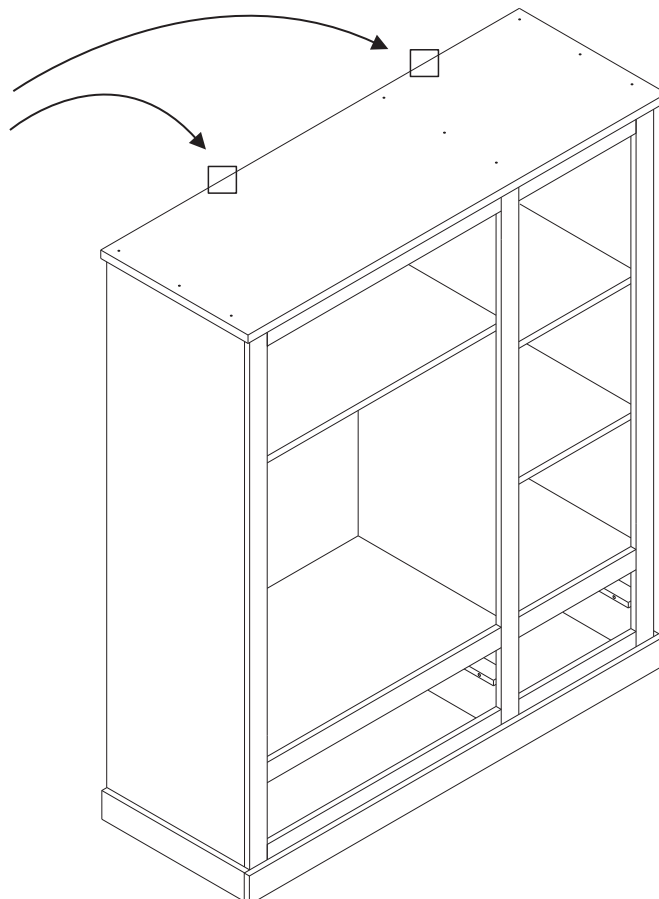
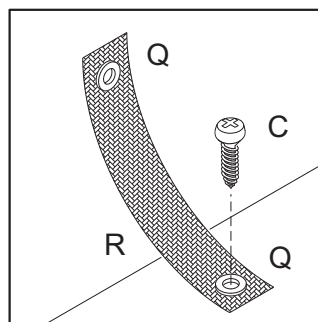
17

Sx70	Tx1	Ux12
		

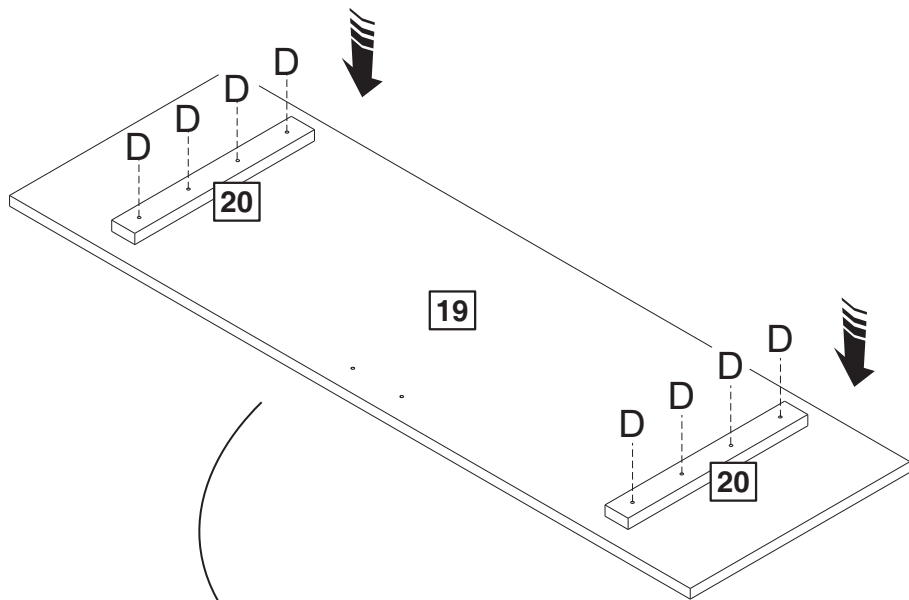


18

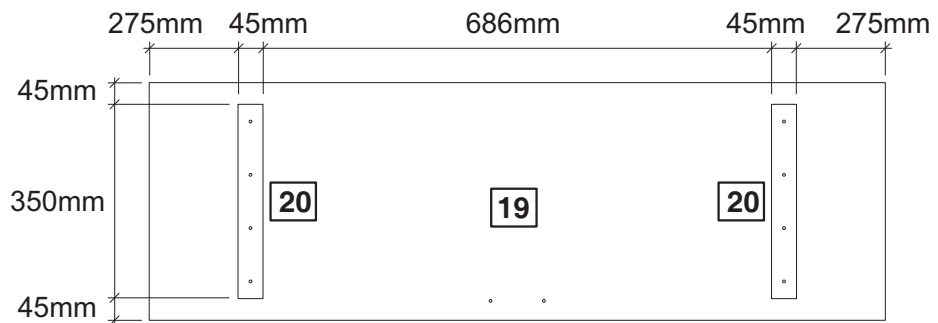
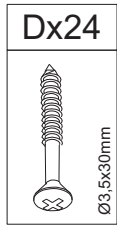
Cx2	Qx4	Rx2
		
<small>Ø3,5x14mm</small>		



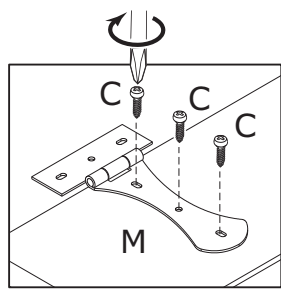
19



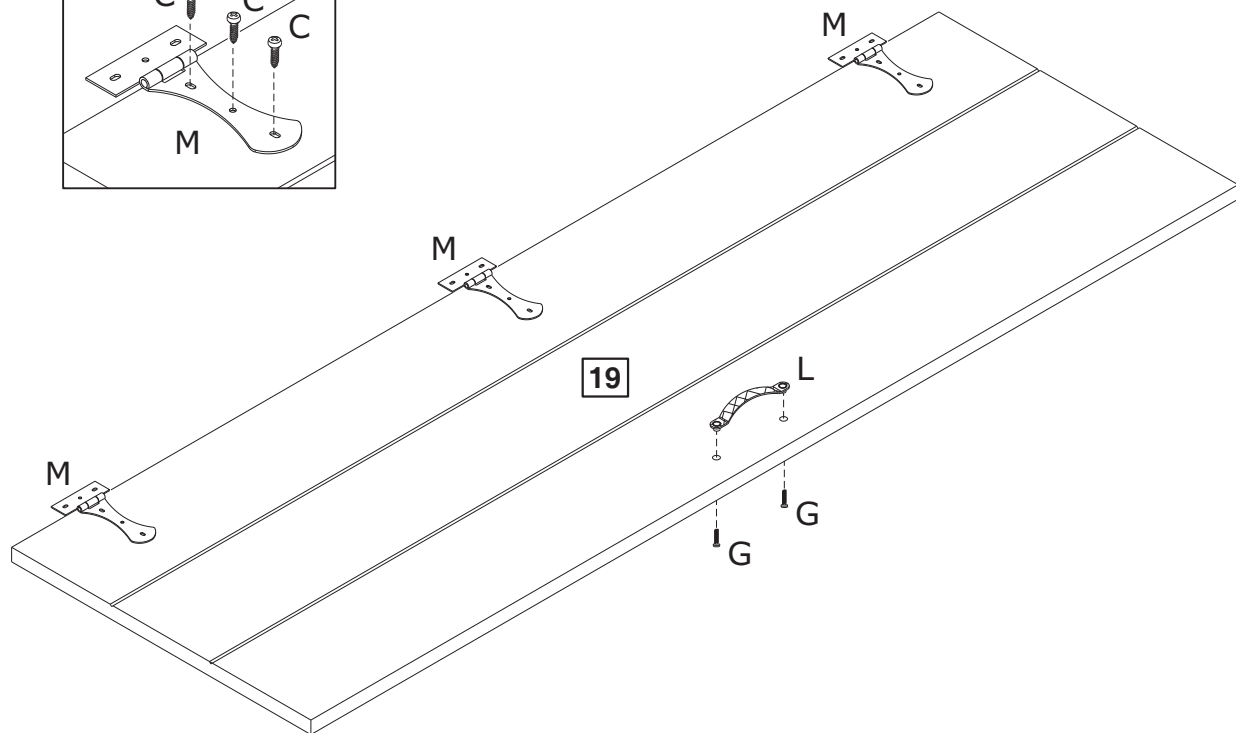
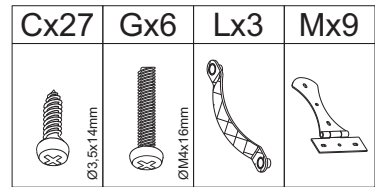
3x



20

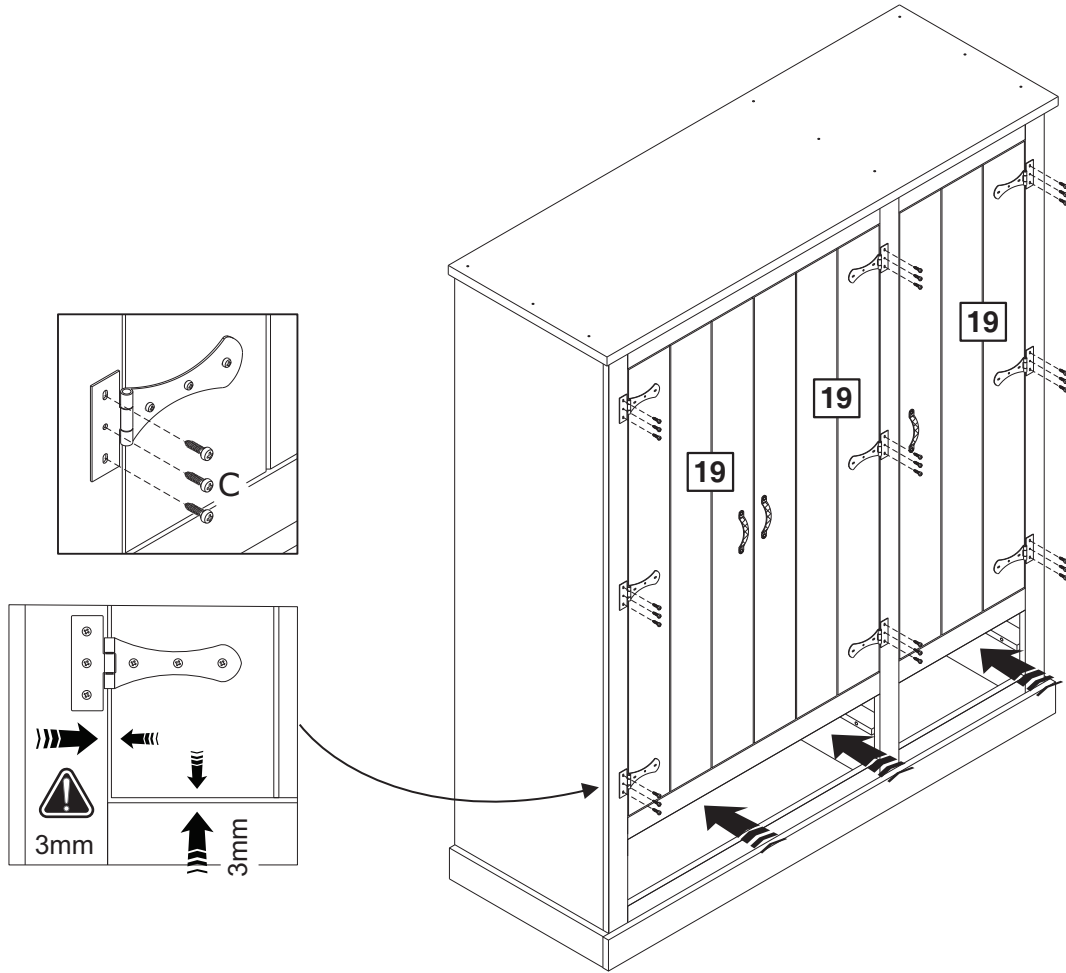


3x






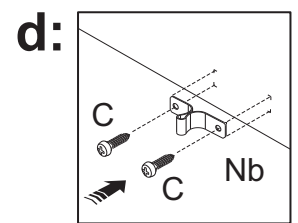
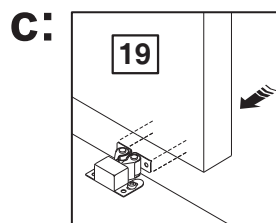
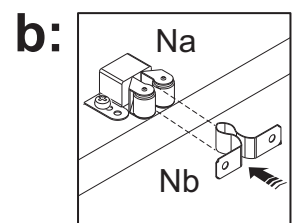
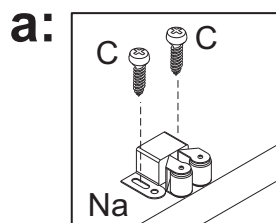
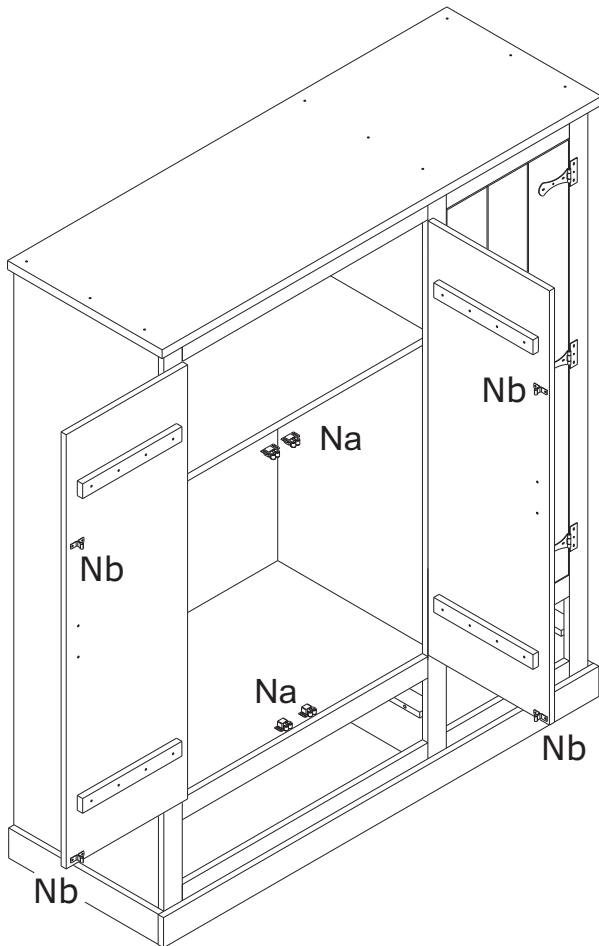
21

Cx27

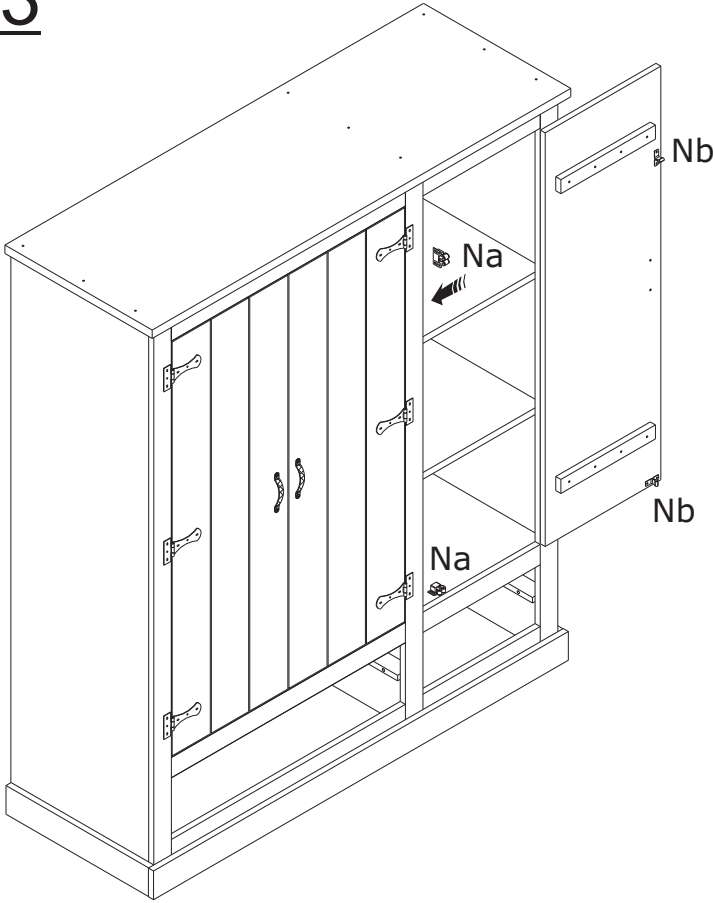





22

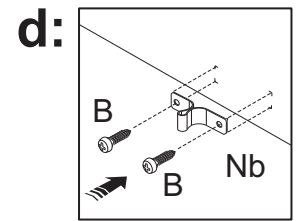
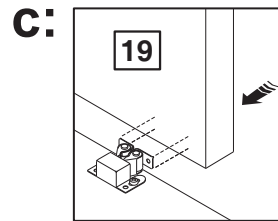
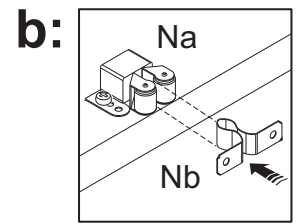
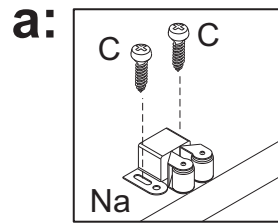
Cx16	Nax4	Nbx4
 3,5x14mm		



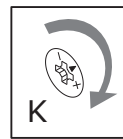
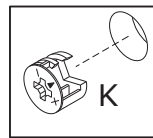
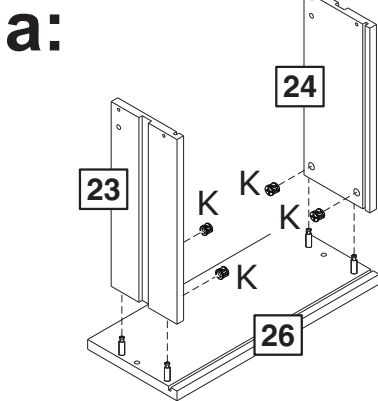
23

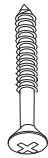





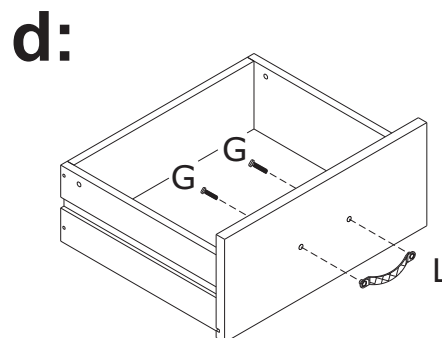
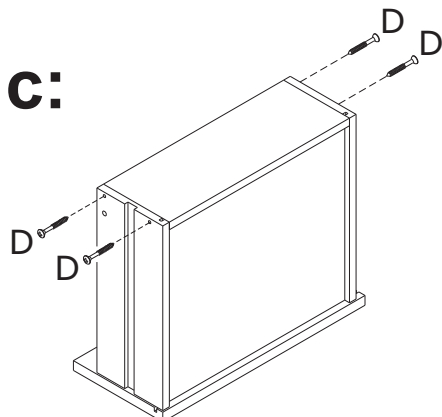
Cx8	Nax2	Nbx2
 3,5x14mm		



24

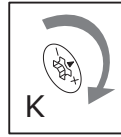
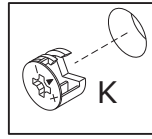
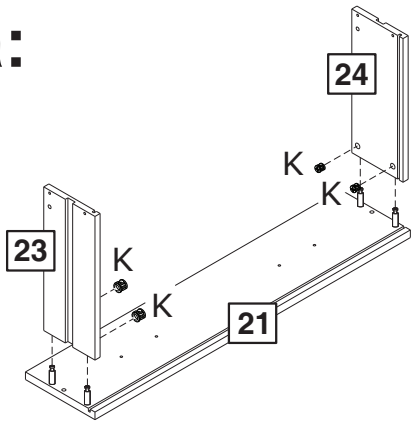


Dx4	Gx2
 Ø3,5x30mm	 ØM4x16mm
Kx4	Lx1
	

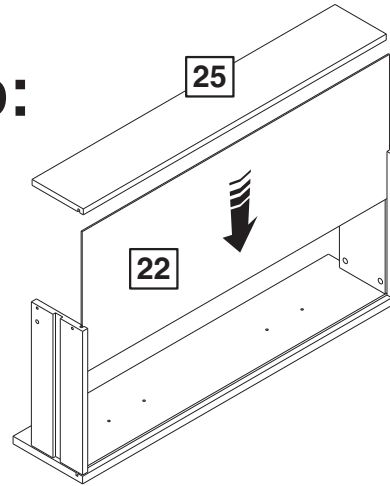


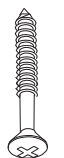



25

a:

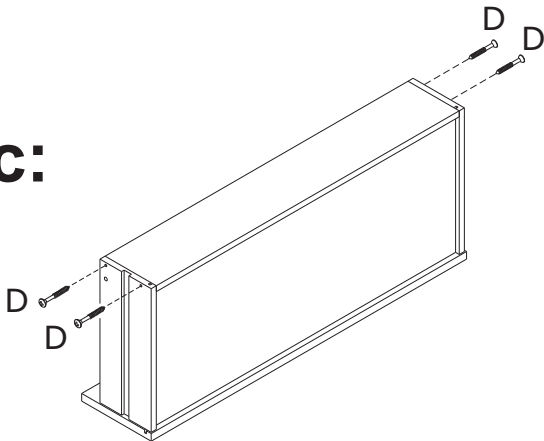


b:

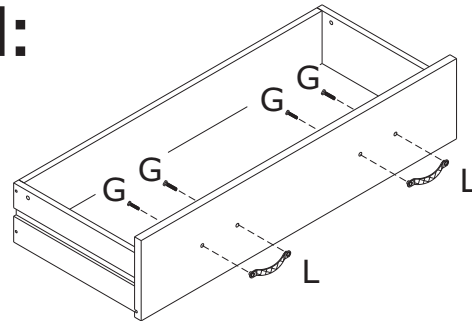


Dx4	Gx4
 Ø3,5x30mm	 ØM4x16mm
Kx4	Lx2
	

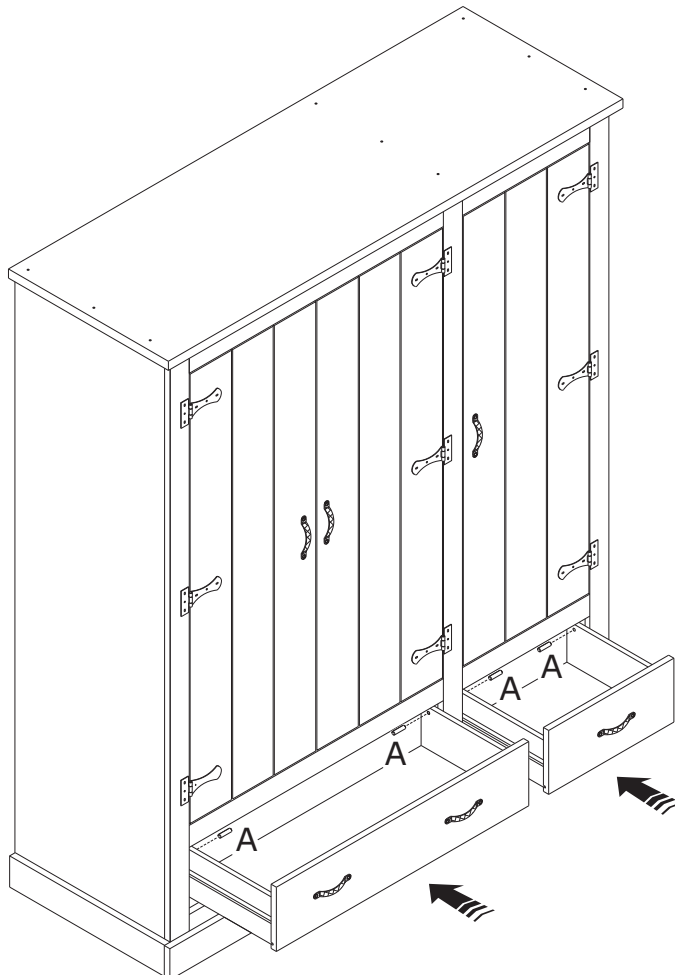
c:



d:



26



Ax4

