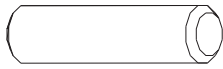

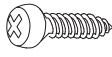

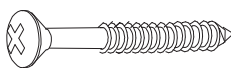


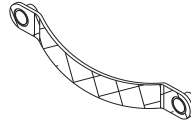
A x 60  Ø8x30mm

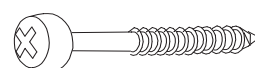
H x 4 

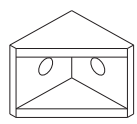
B x 21  Ø3,5x14mm

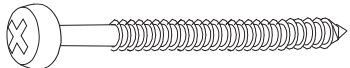
I x 24 

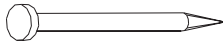
C x 32  Ø3,5x30mm

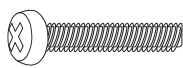
J x 6 

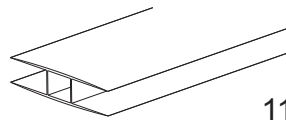
D x 10  Ø4,0x35mm


K x 7 

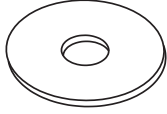
E x 12  Ø4,5x50mm

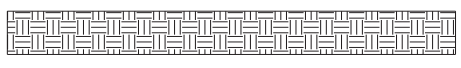
L x 34 

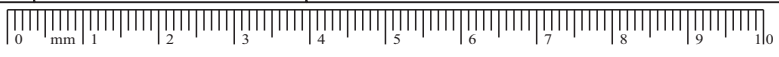
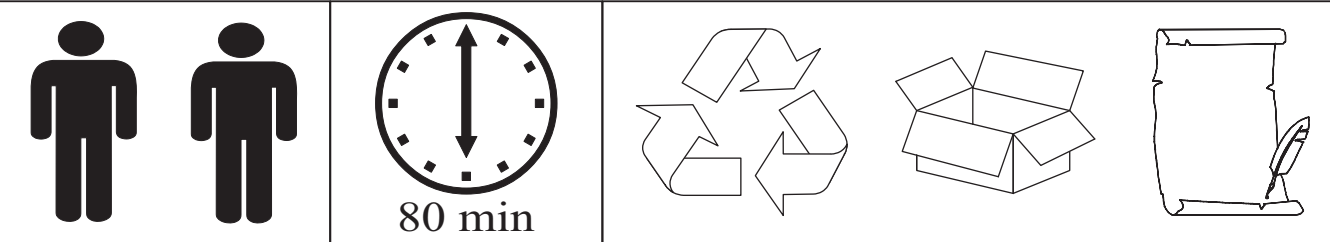
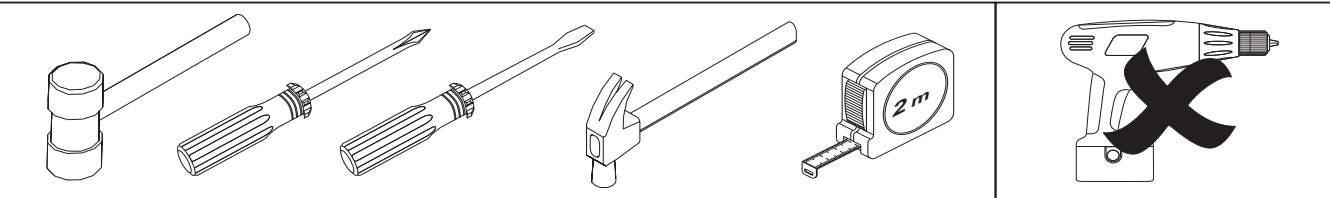
F x 12  ØM4x16mm

M x 1  1100mm

G x 28 

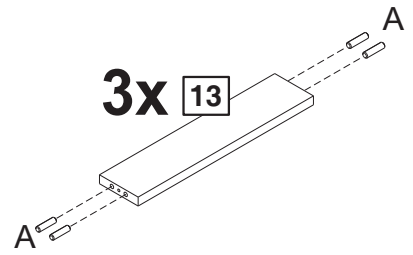
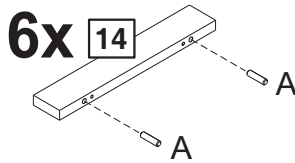
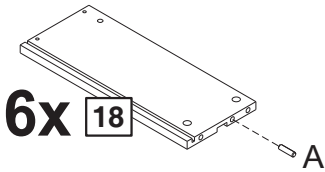
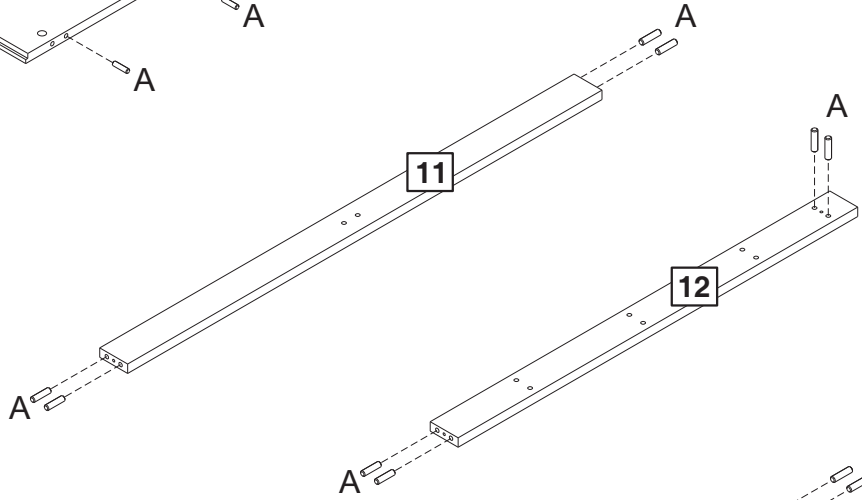
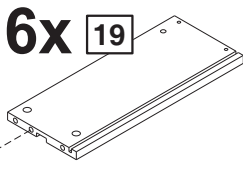
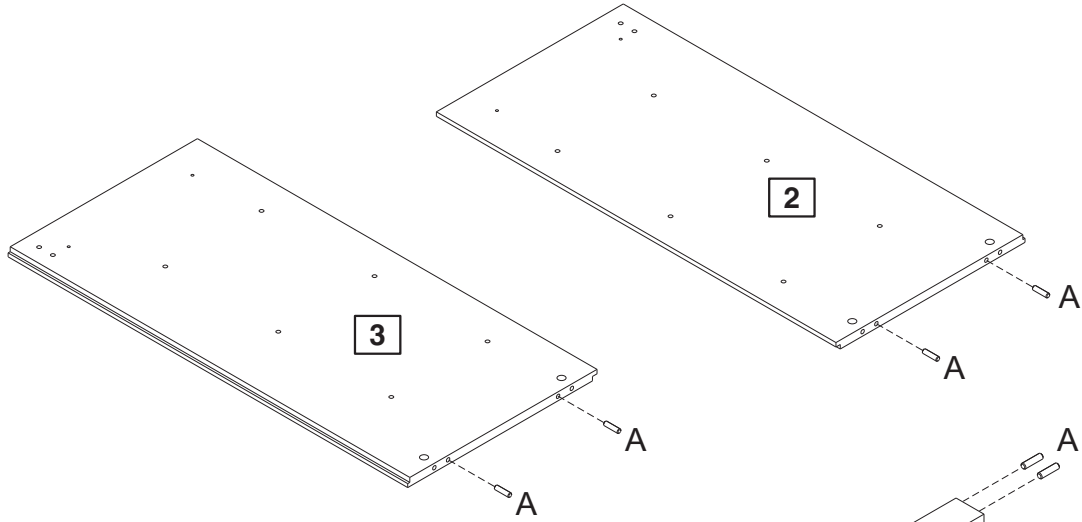
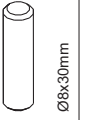
N x 2 

O x 1 



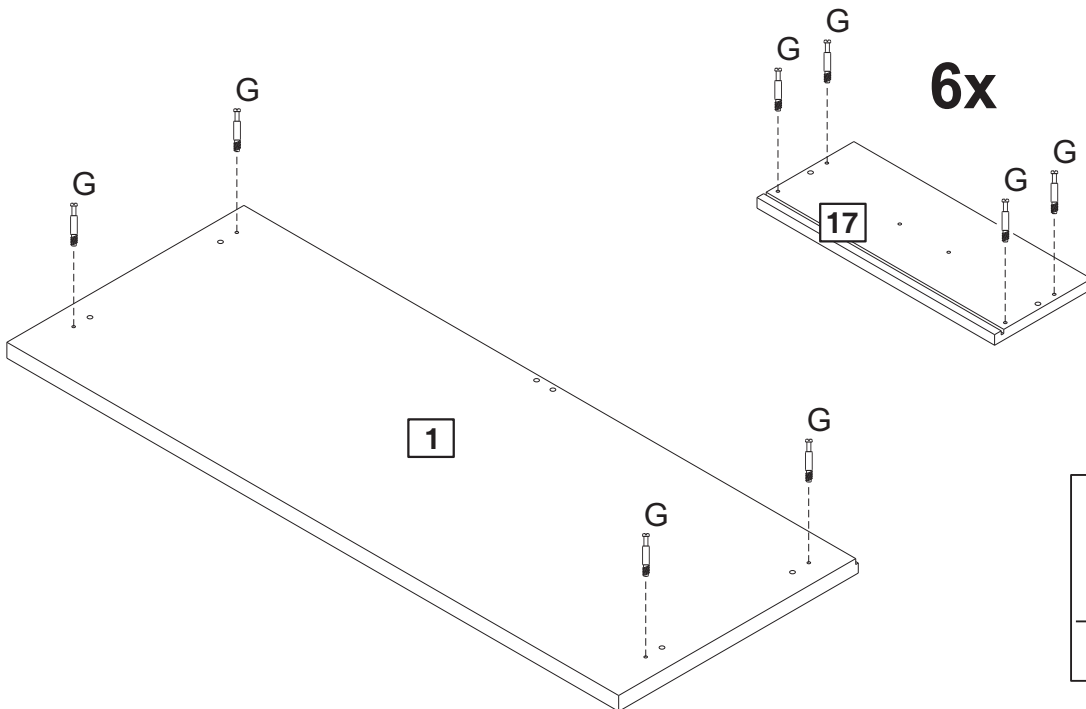
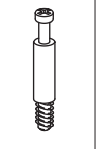
1

Ax48


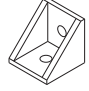


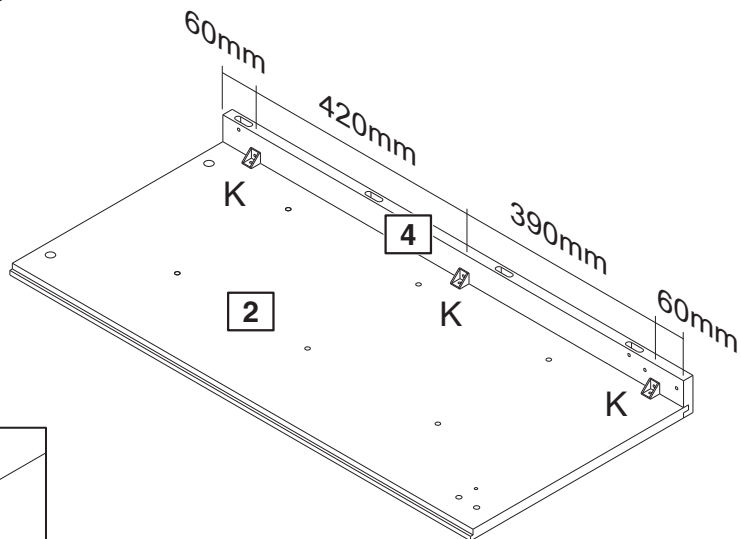
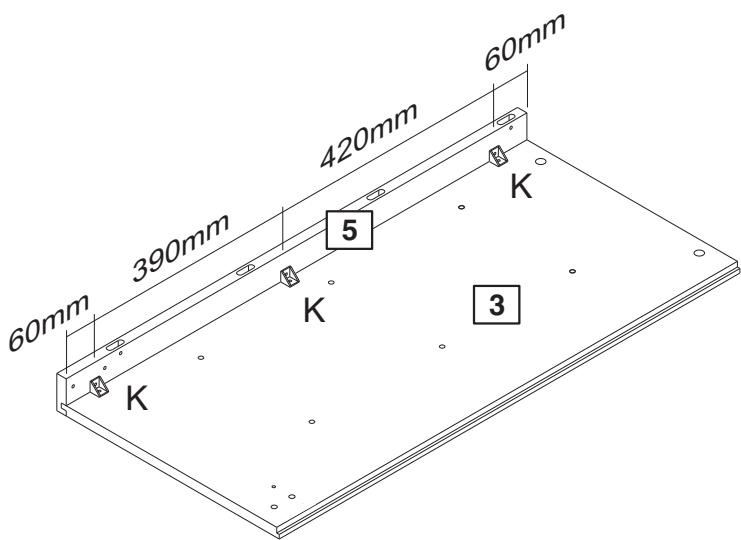
2

Gx28

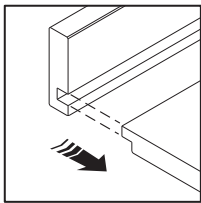


3

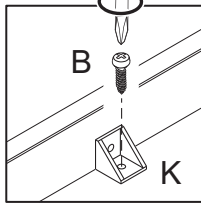
Bx12	Kx6
	
Ø3,5x14mm	



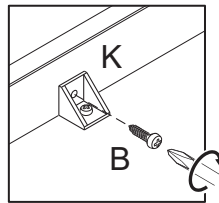
a:




b:

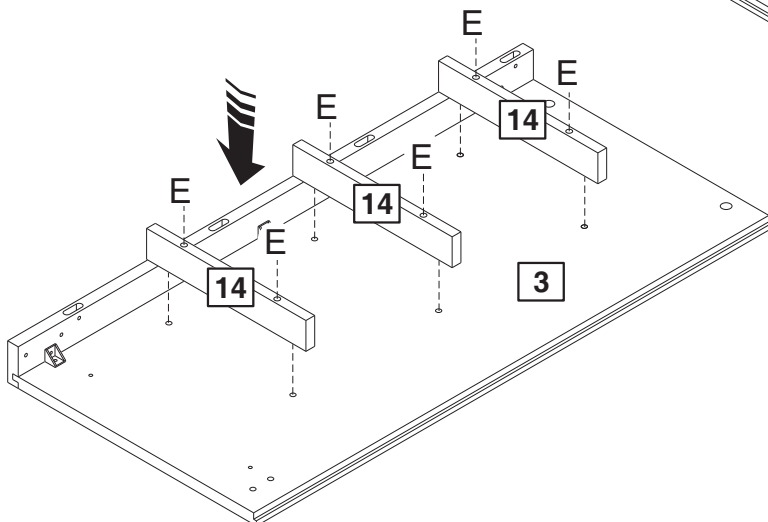
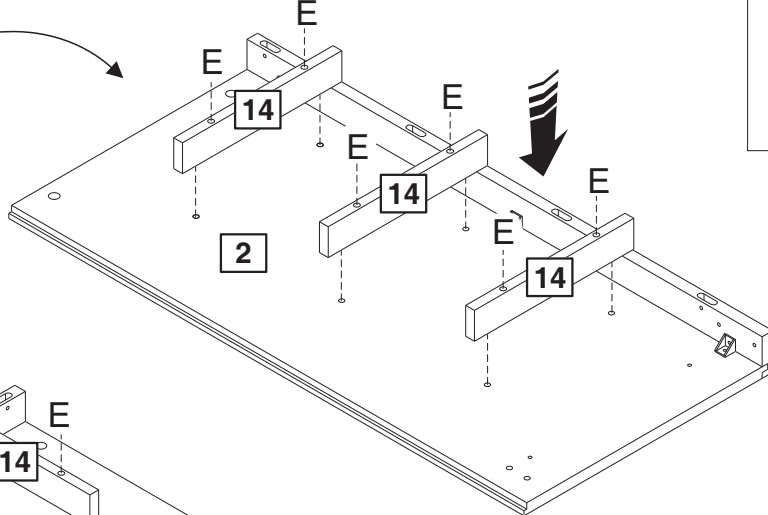
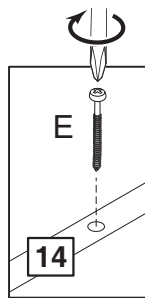


c:

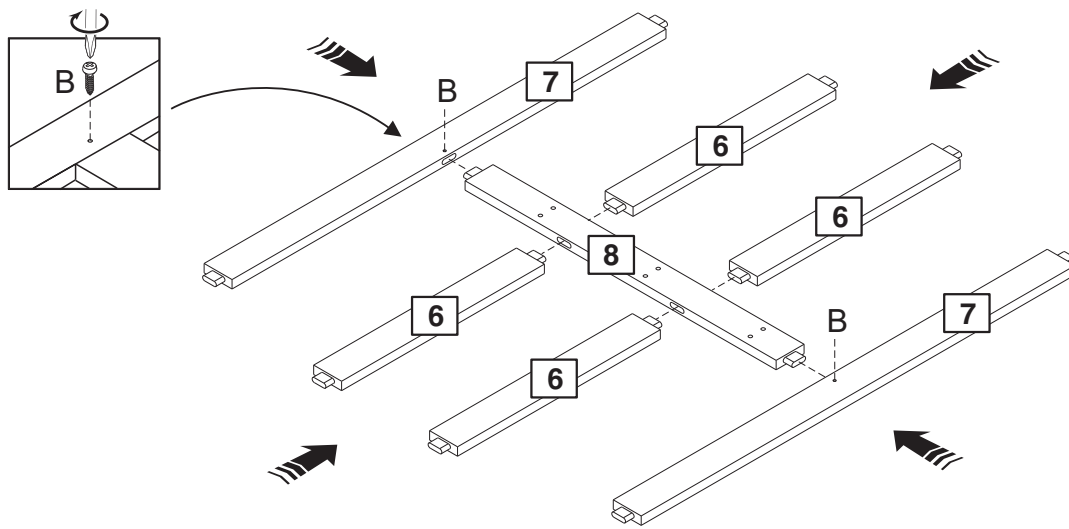


4

Ex12

Ø4,5x50mm



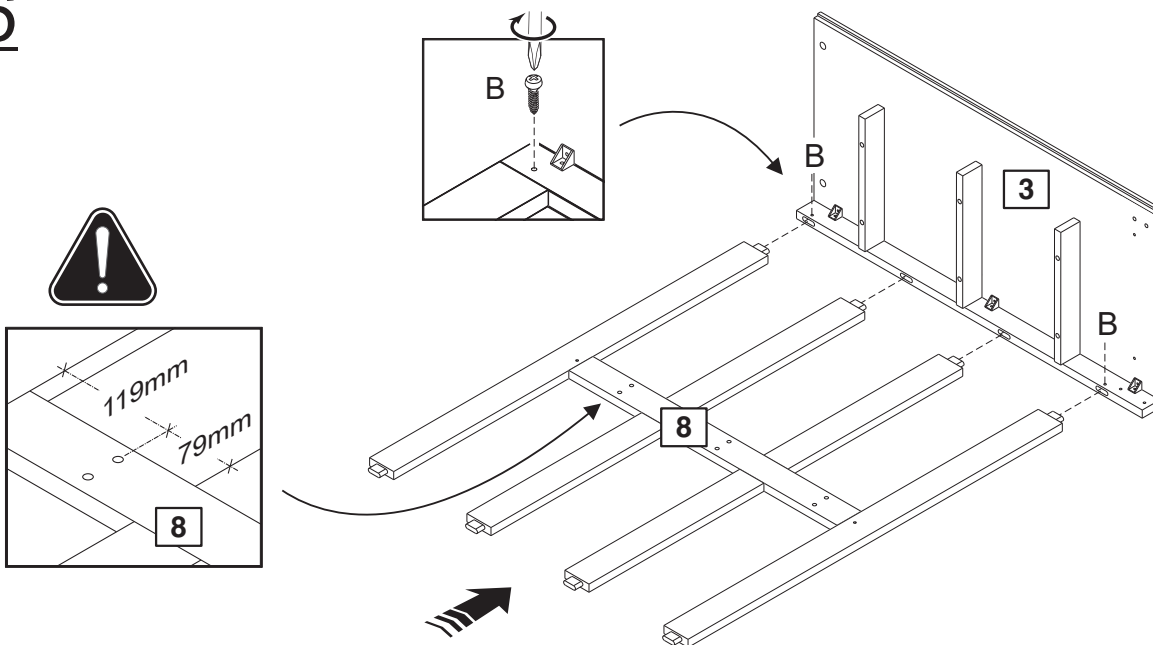
5



Bx2



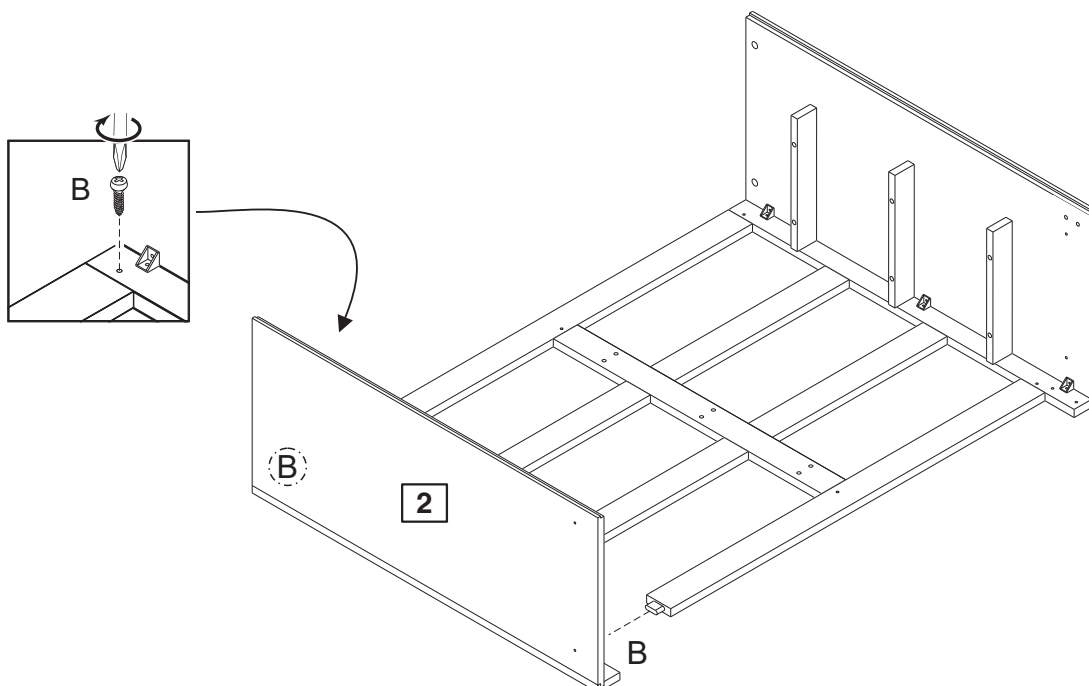
6



Bx2



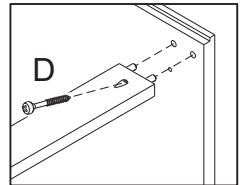
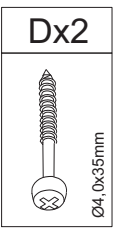
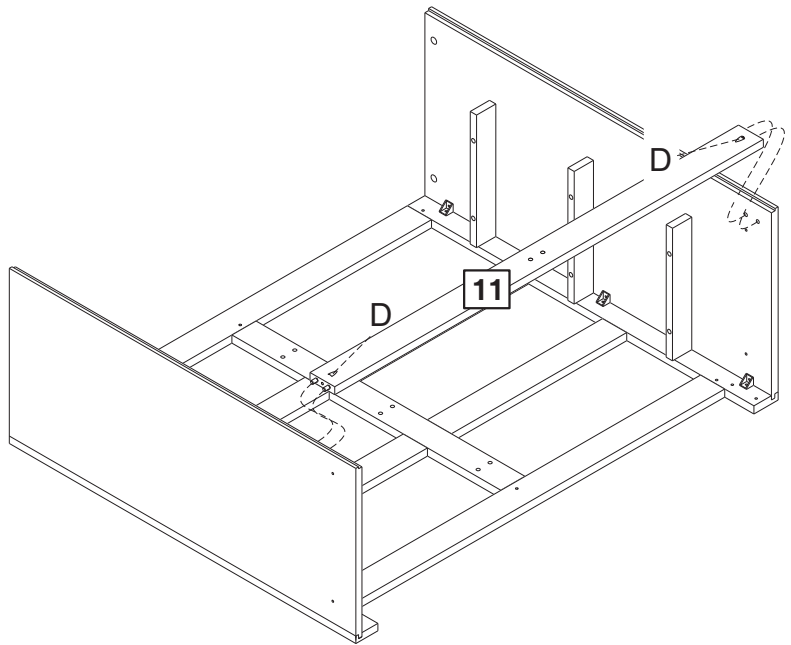
7



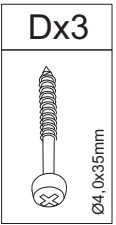
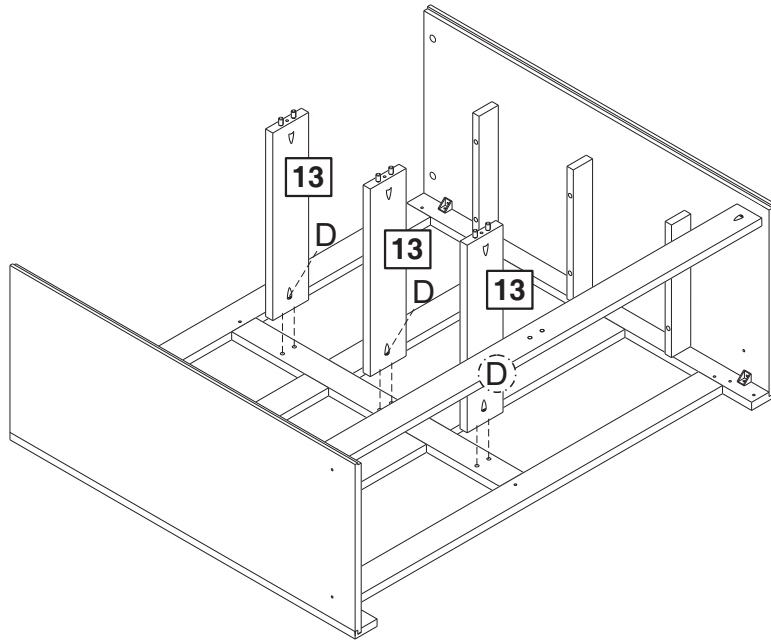
Bx2



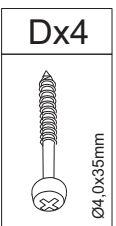
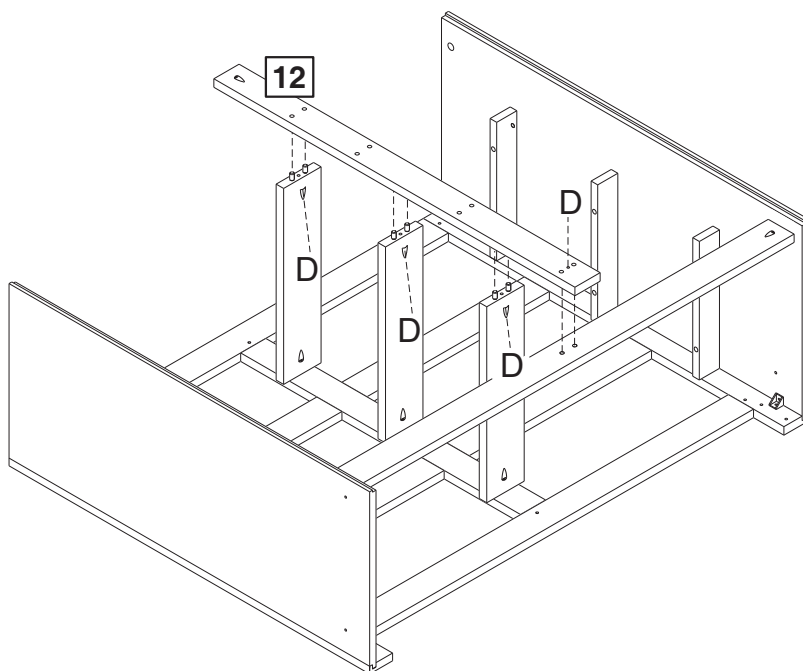
8



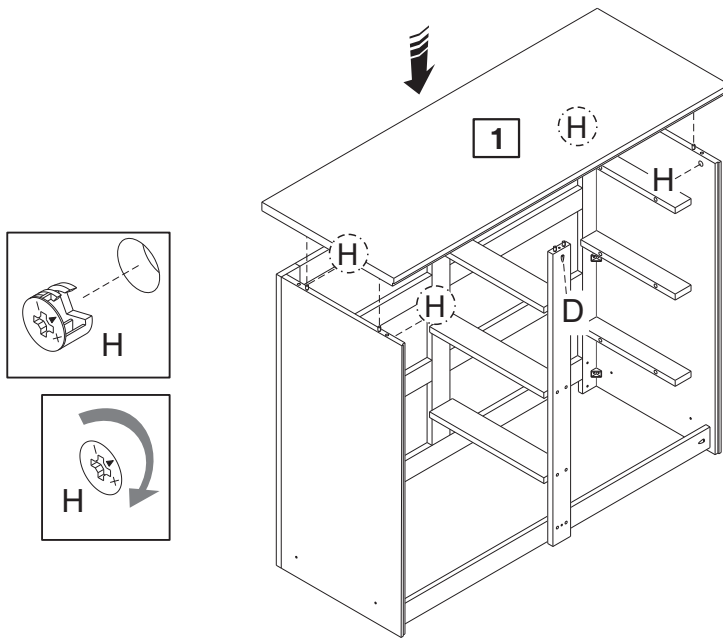
9

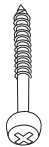



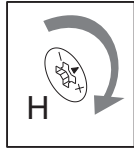
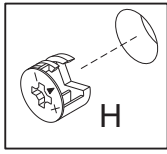
10



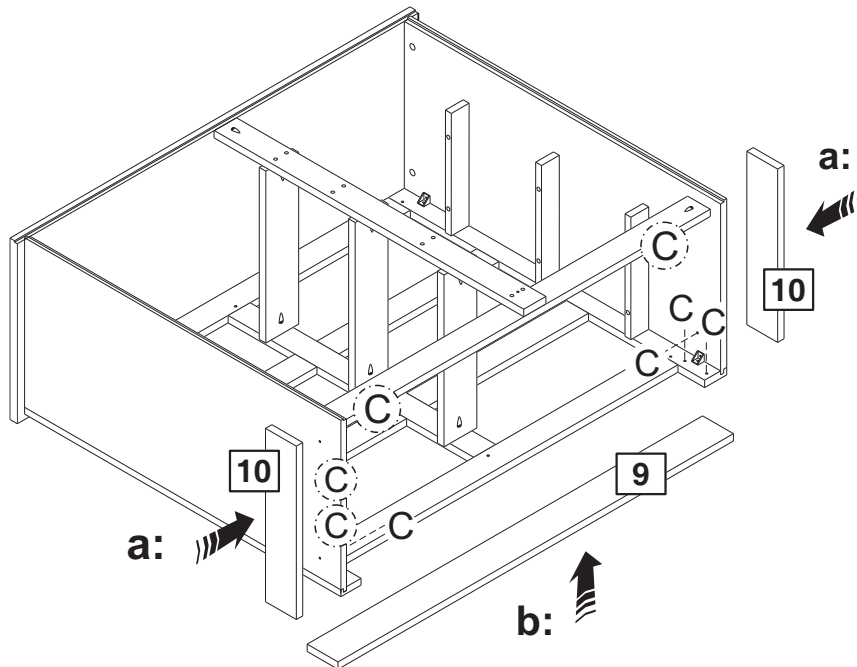
11

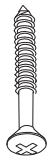


Dx1	Hx4
 Ø4,0x35mm	

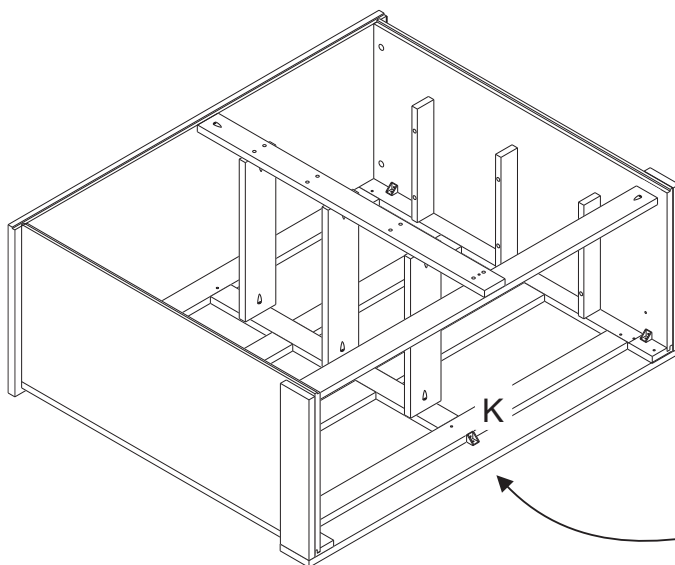



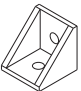
12

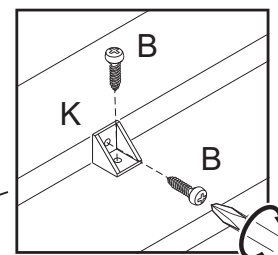


Cx8
 Ø3,5x30mm



13

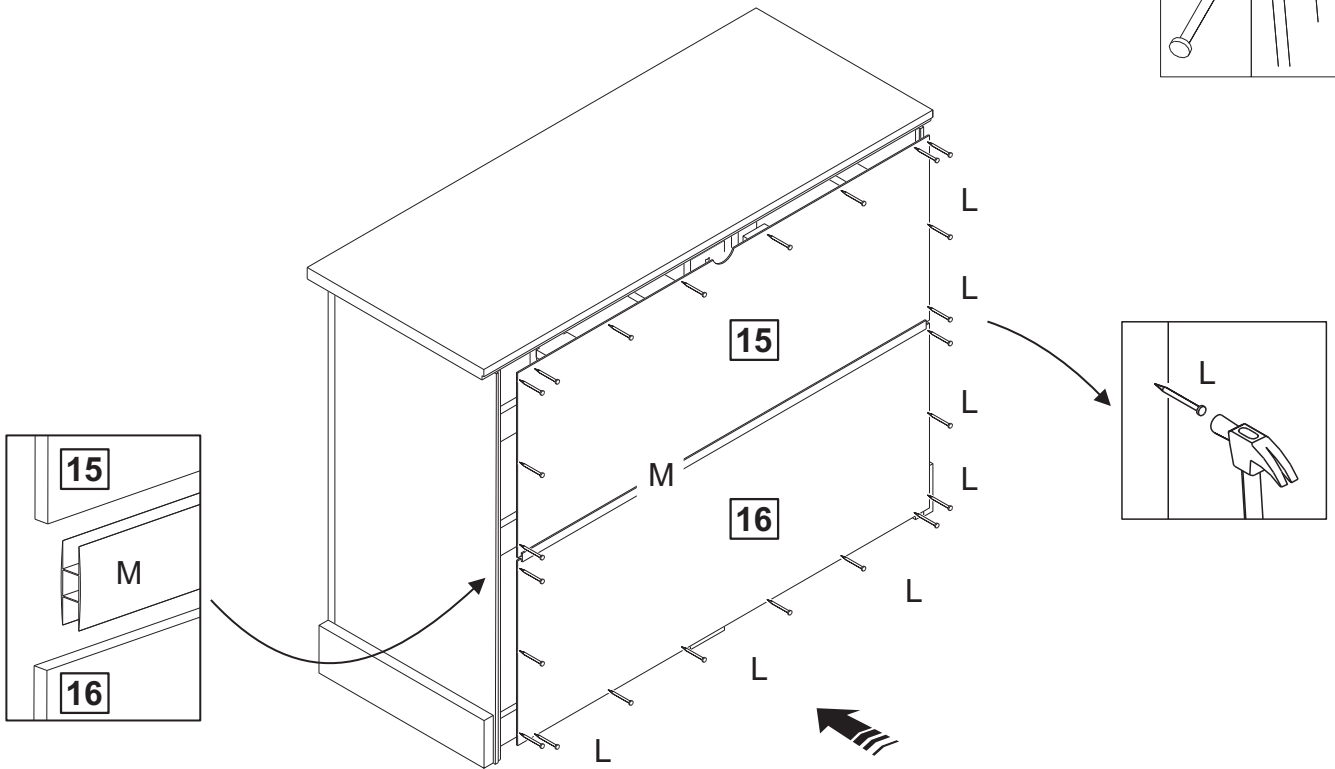


Bx2	Kx1
 Ø3,5x14mm	

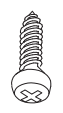




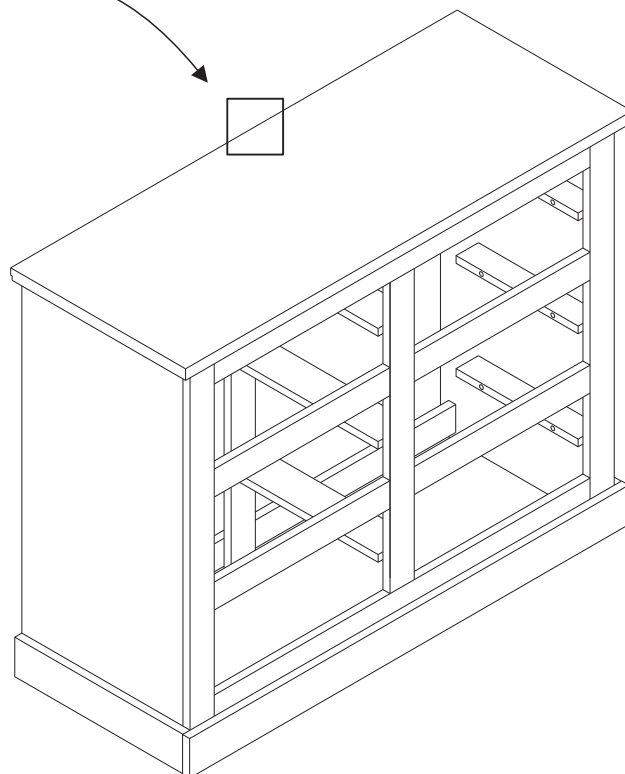
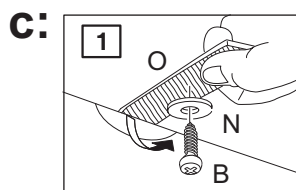
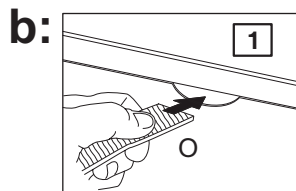
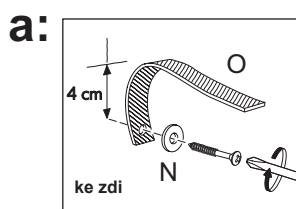
14

Lx34	Mx1
	

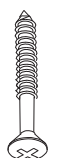





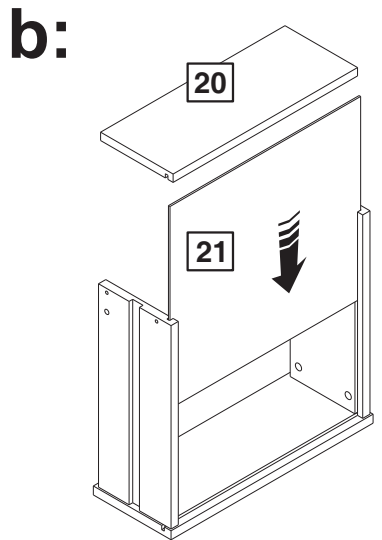
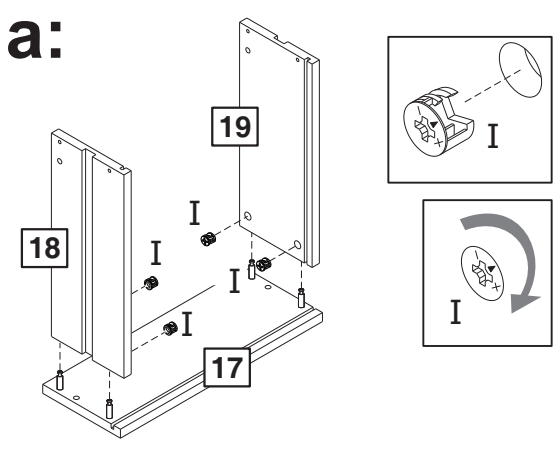
15

Bx1	Nx2	Ox1
		
<small>Ø8,5x14mm</small>		

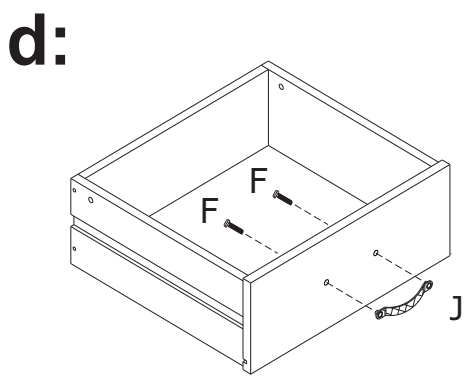
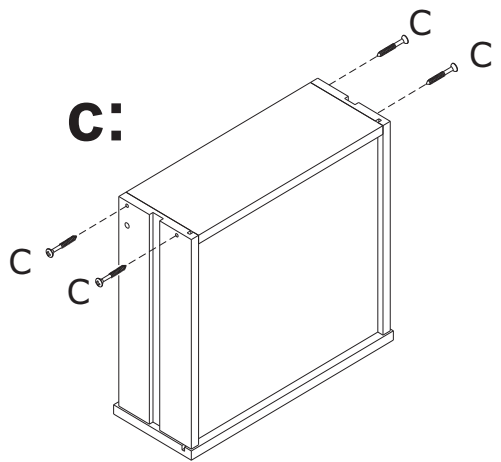


16


Cx24	Fx12
	
Ø3,5x30mm	ØM4x16mm
Ix24	Jx6
	



6x



17

Ax12

Ø8x30mm

