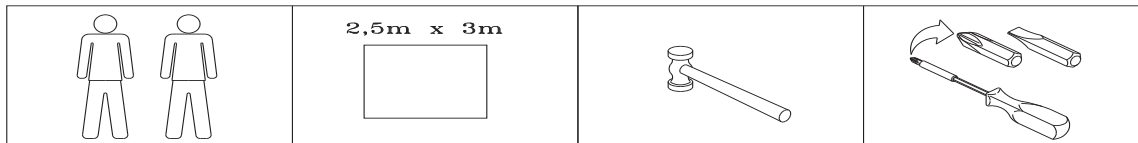



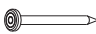

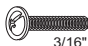

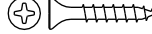






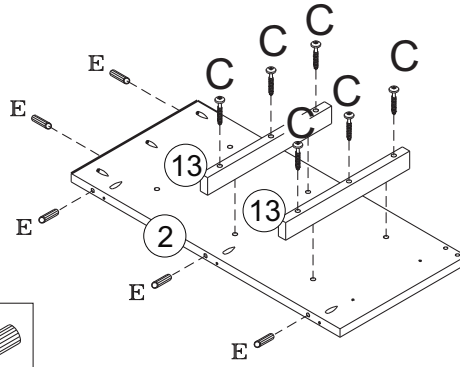
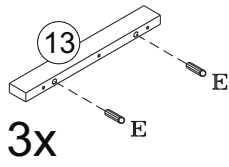
3x

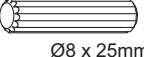
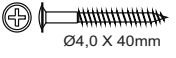


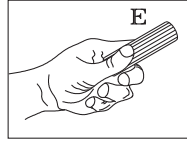
A	 Ø3,5 x 30mm	21
B	 Ø3,0 x 30mm	24
C	 Ø4,0 x 40mm	18
D	 10x10mm	20
E	 Ø8 x 25mm	40
F	 3/16" x 3/4"	06
G		06

H	 3,5x22 CC	01
I		01
J		02
K	 Ø 5,0x24 mm	08
L	 Ø 15x12 mm	08

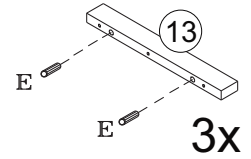
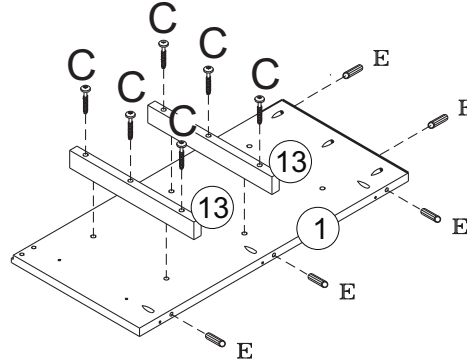
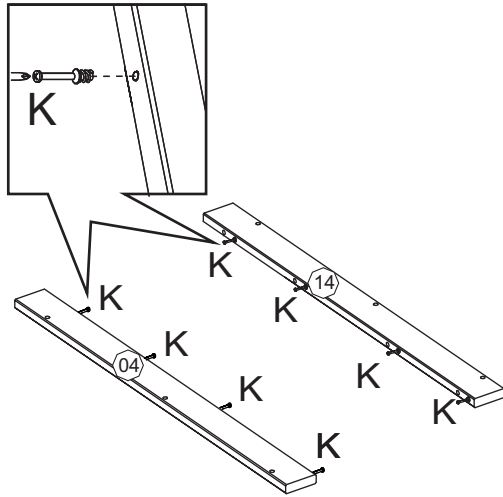
# 01


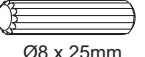
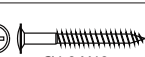


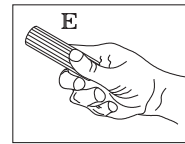
E	 Ø8 x 25mm	11
C	 Ø4,0 X 40mm	06



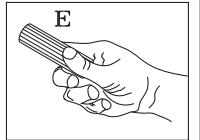
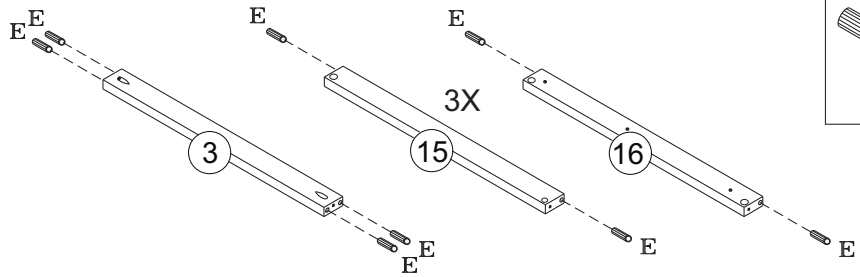
# 02

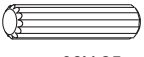


K	 Ø 5,0x24 mm	08
E	 Ø8 x 25mm	11
C	 Ø4,0 X40mm	06

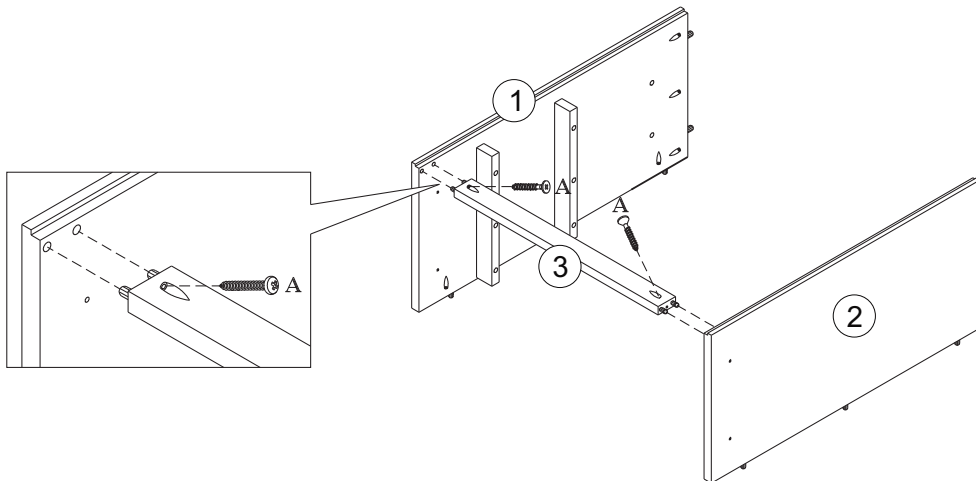


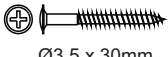
# 03



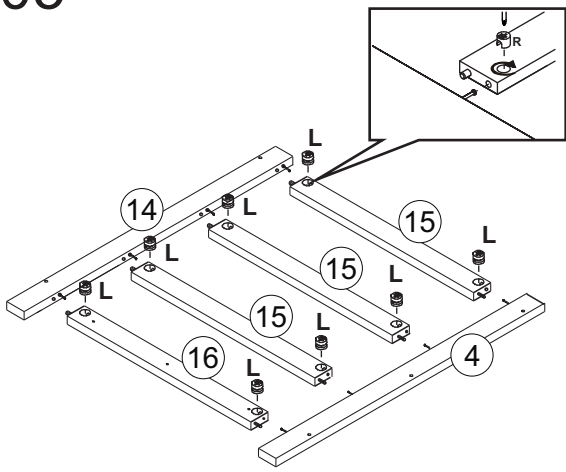
E	 08X 25mm	12
---	---	----

# 04



A	 Ø3,5 x 30mm	02
---	--	----

05

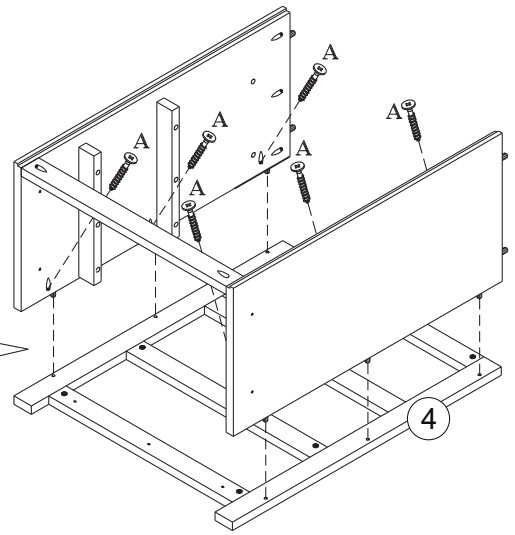
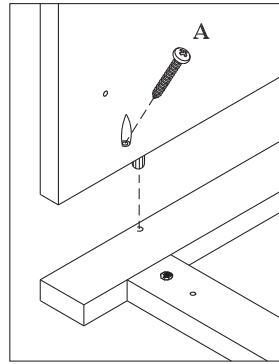


L

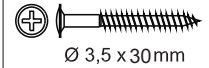


08

06

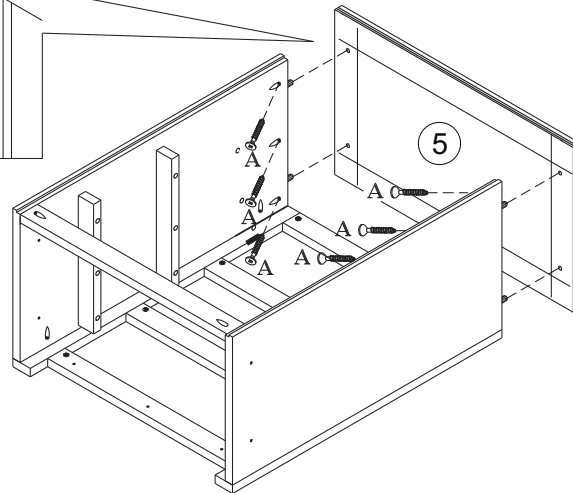
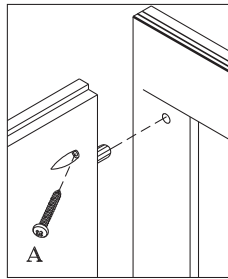


A

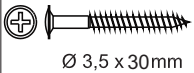


06

07

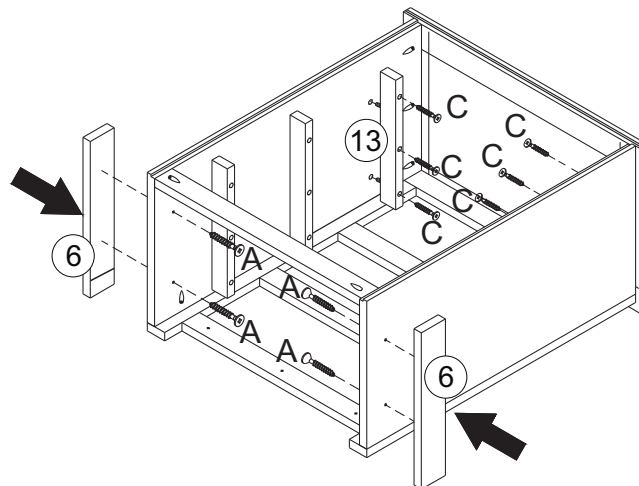


A

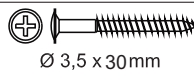


06

08

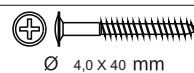


A



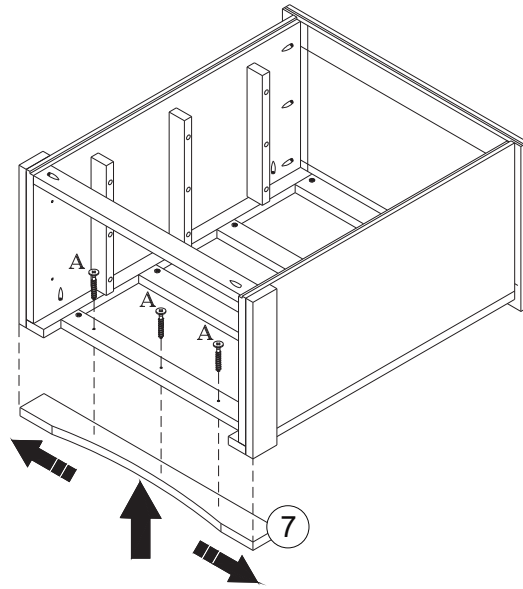
04


C



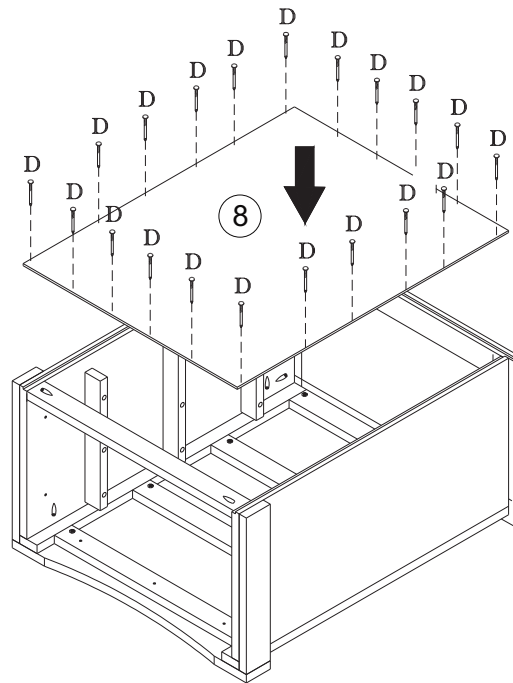
06


09



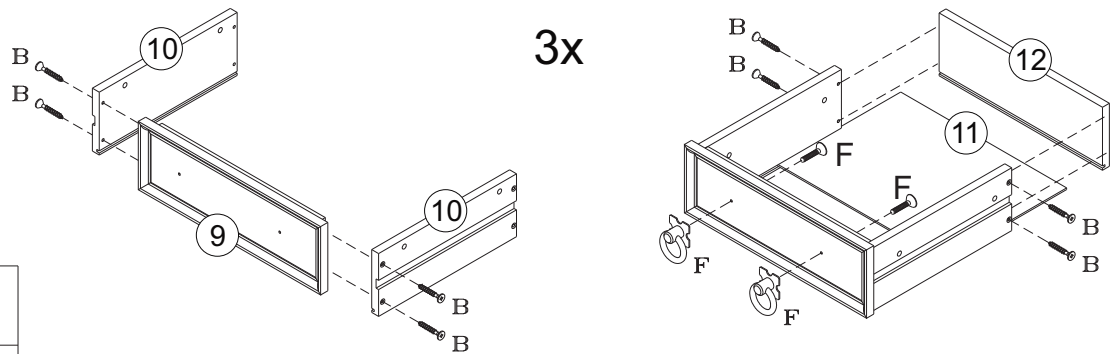
A	 Ø 3,5 x 30mm	03
---	---	----




10

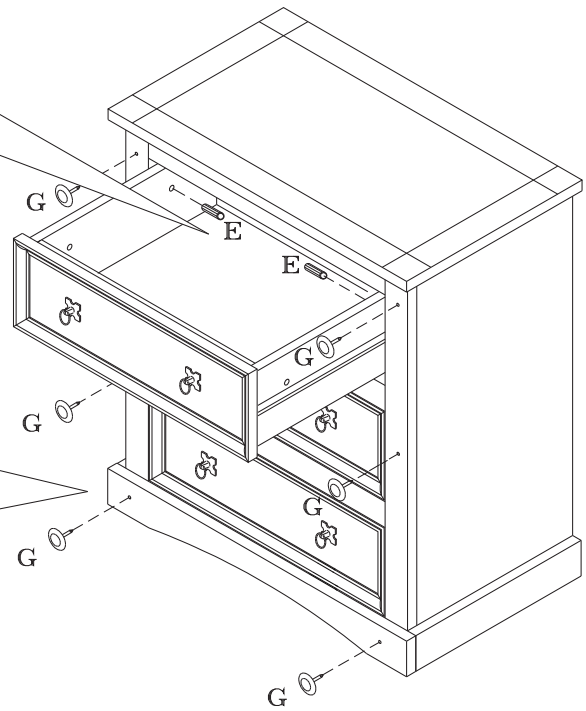
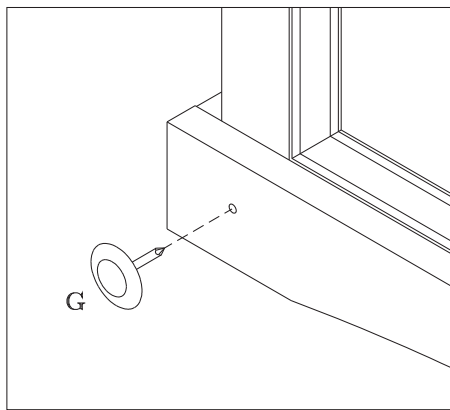
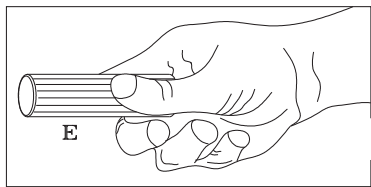
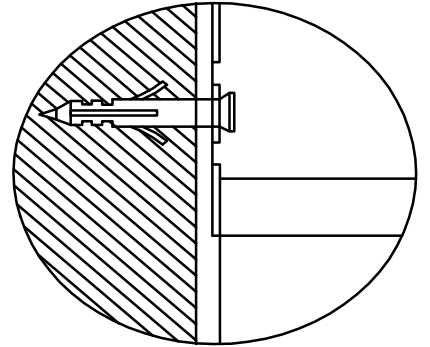
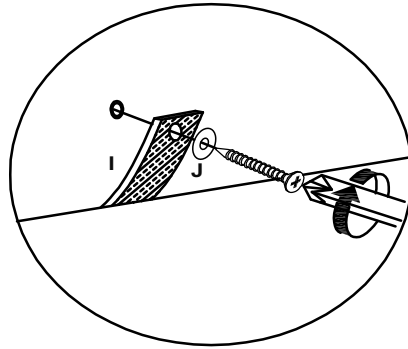
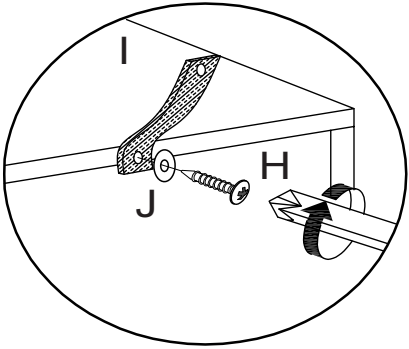


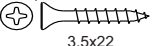


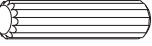

D	 10x10mm	20
---	--	----

11



B	 Ø 3,0 x 30mm	24
F	 3/16 x 3/4 	06



H	 3,5x22	01
I		01
J		02
E	 Ø8 x 25mm	06
G		06