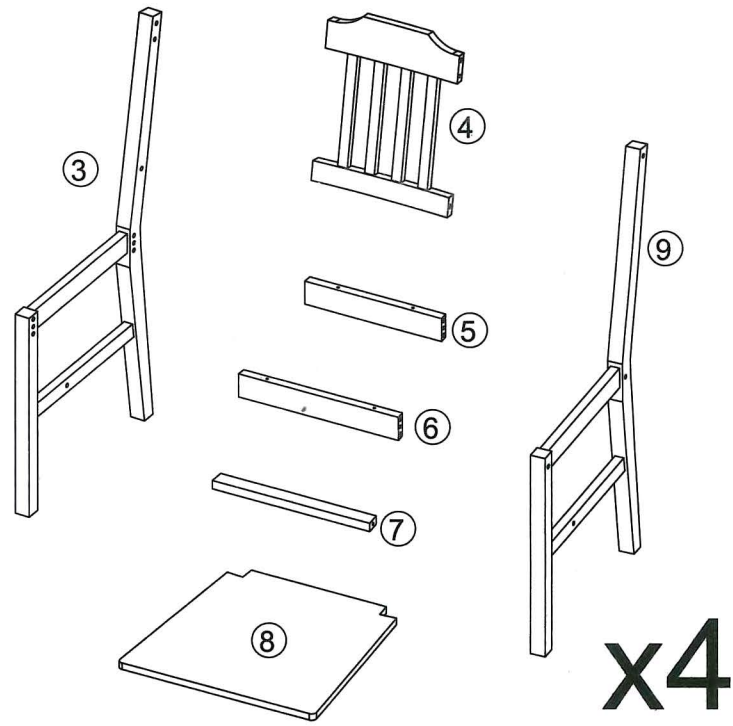
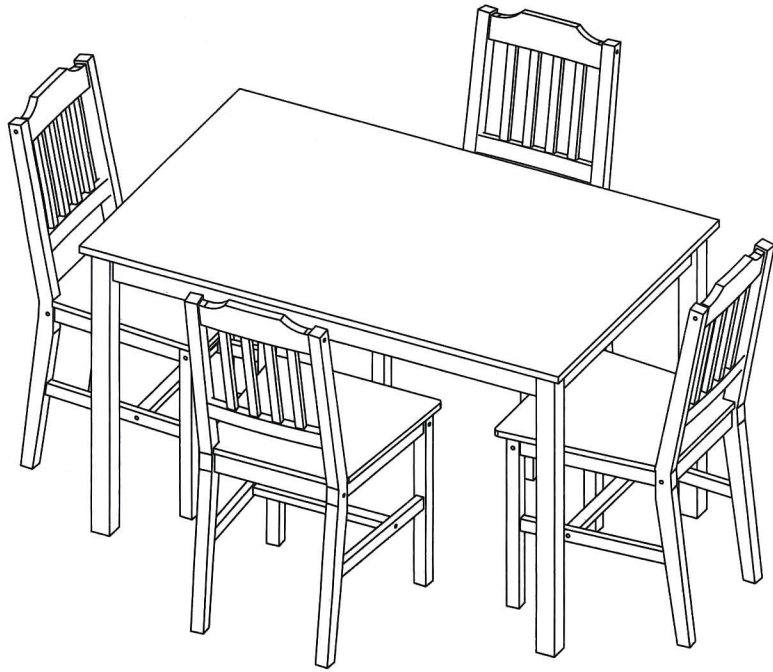
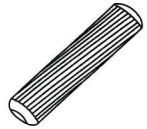


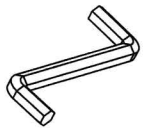

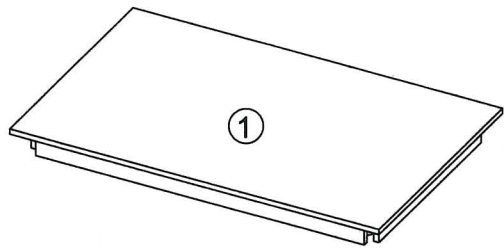


8849

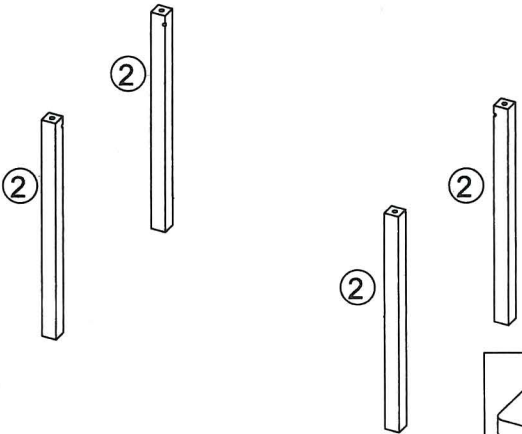


-  $\Phi 8 \times 30$
E x 48
-  $\Phi 7 \times 70$
F x 32
-  $\Phi 4 \times 40$
G x 16
-  4MM
H x 1
-  J x 16

x4



1



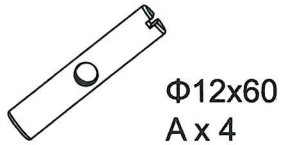
2

2

2



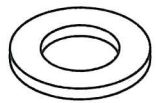
J x 4



$\Phi 12 \times 60$
A x 4



M8 x 58
B x 4



M8/18
C x 4

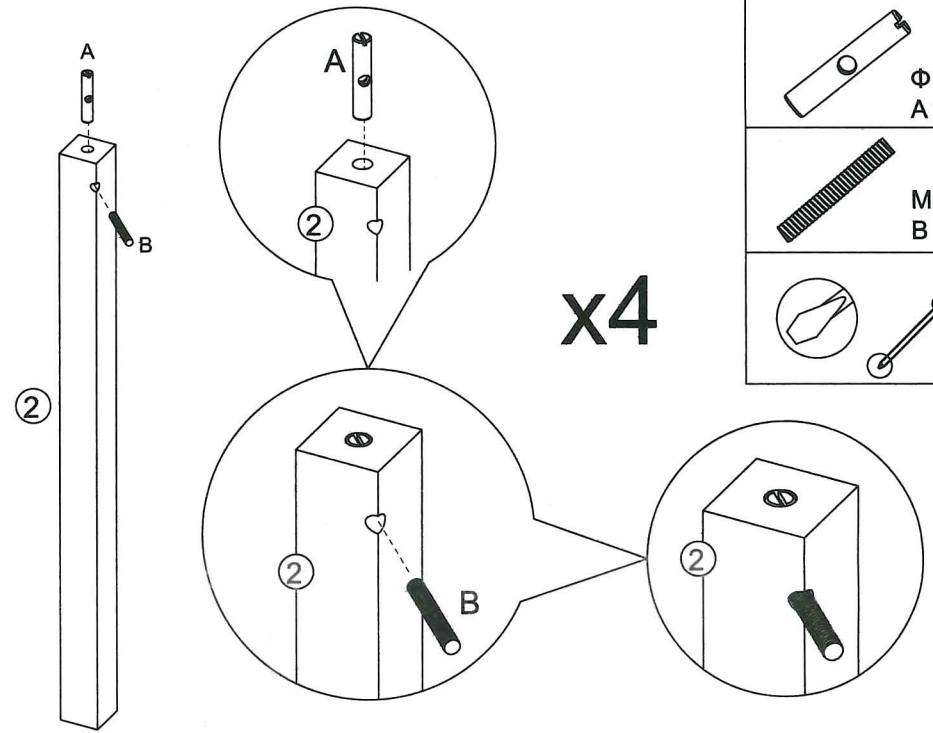


M8/13
D x 4

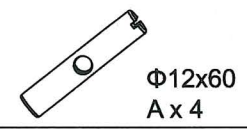


13MM
I x 1

1.



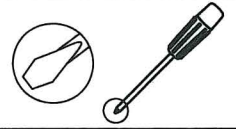
x4



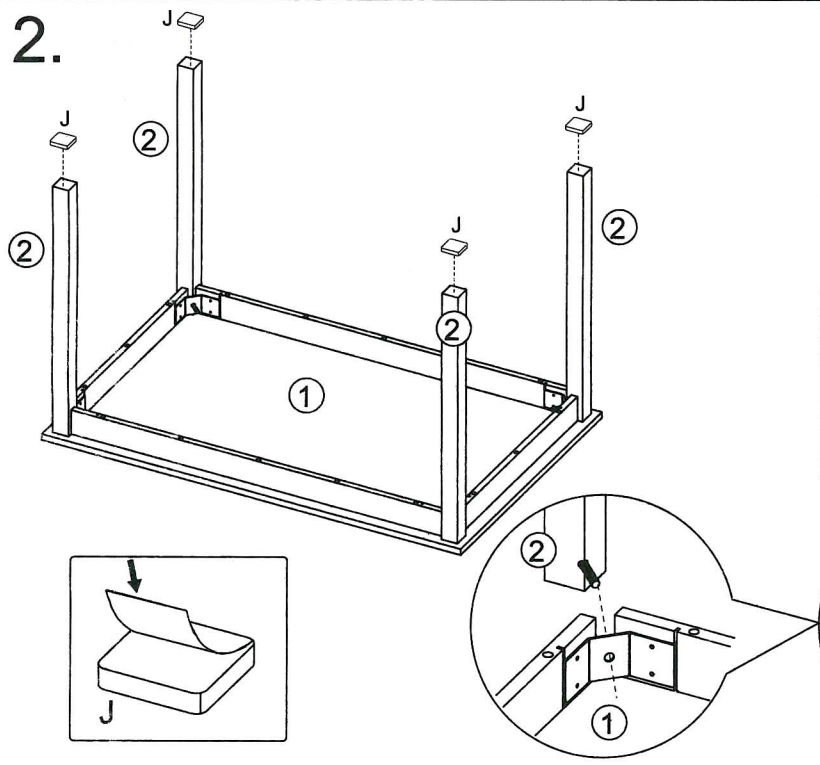
$\Phi 12 \times 60$
A x 4

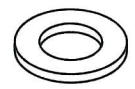

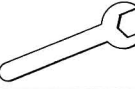



M8 x 58
B x 4

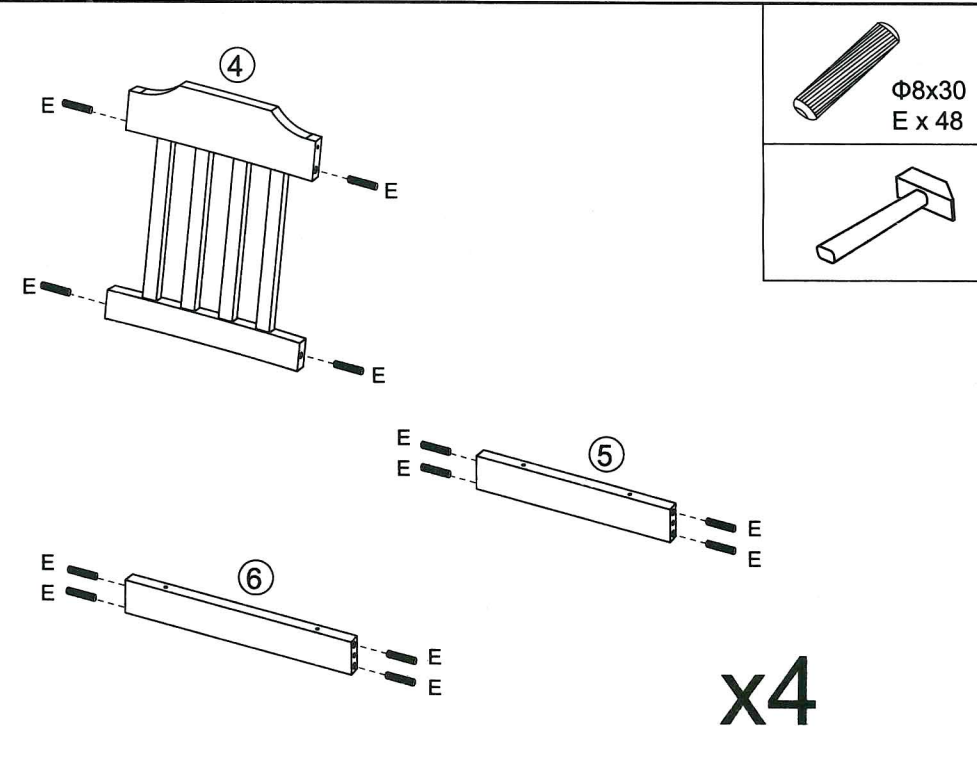


2.


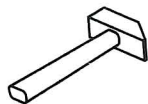


-  M8/18
C x 4
-  M8/13
D x 4
-  13MM
I x 1
-  J x 4

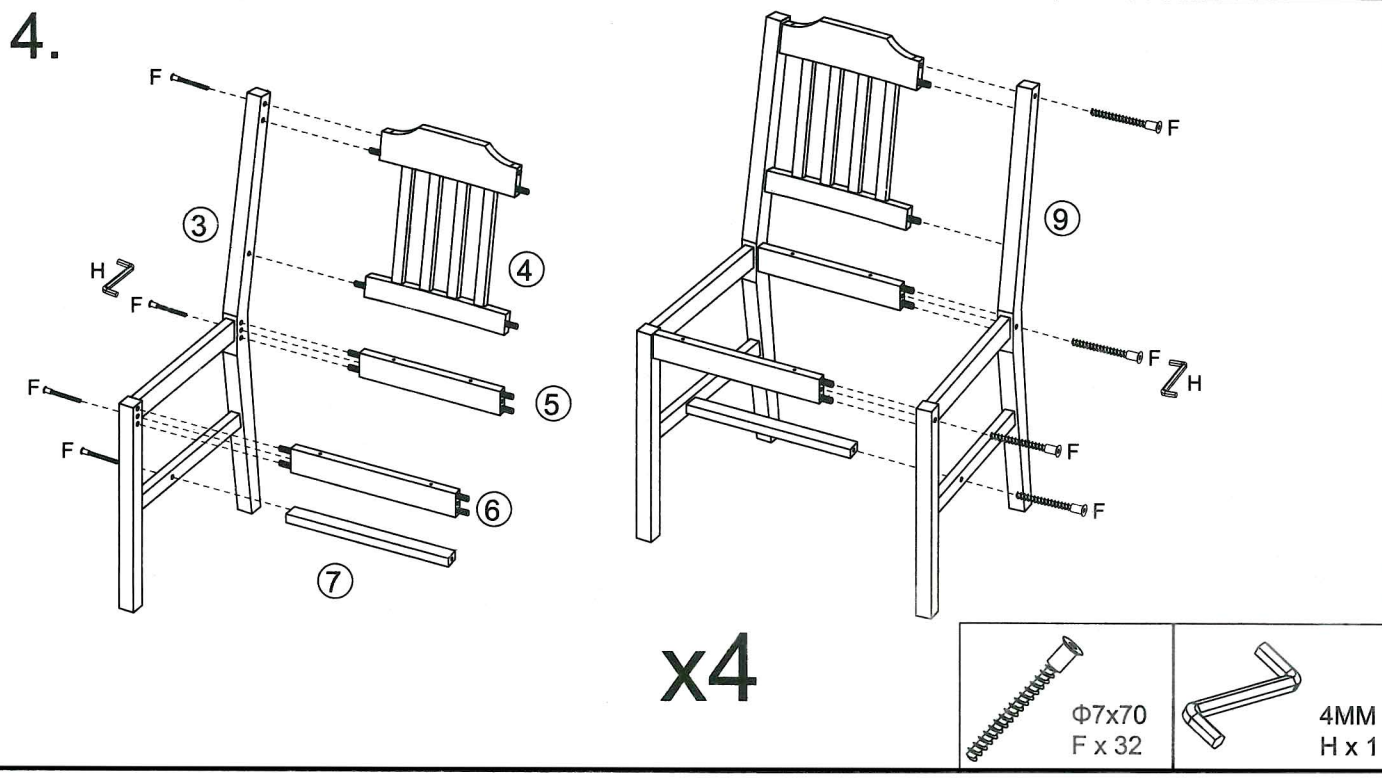
3.





x4

-  $\Phi 8 \times 30$
E x 48
-  J x 4

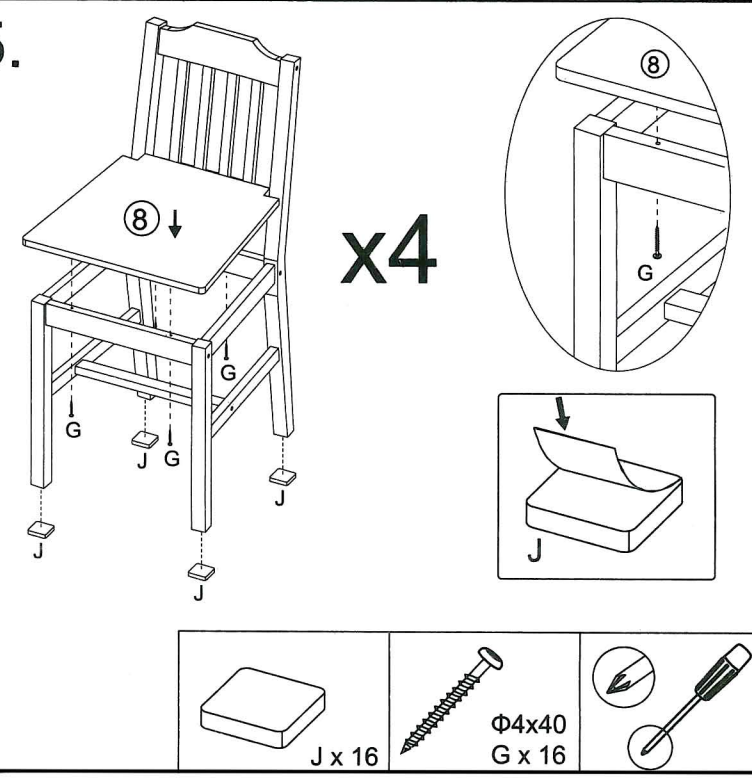
4.





x4

-  $\Phi 7 \times 70$
F x 32
-  4MM
H x 1

5.



x4

-  J x 16
-  $\Phi 4 \times 40$
G x 16
- 