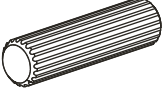
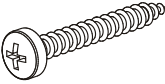
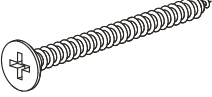
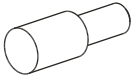


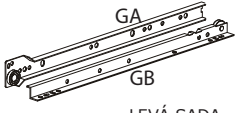
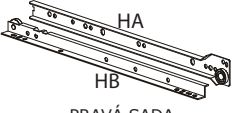




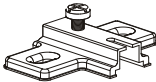
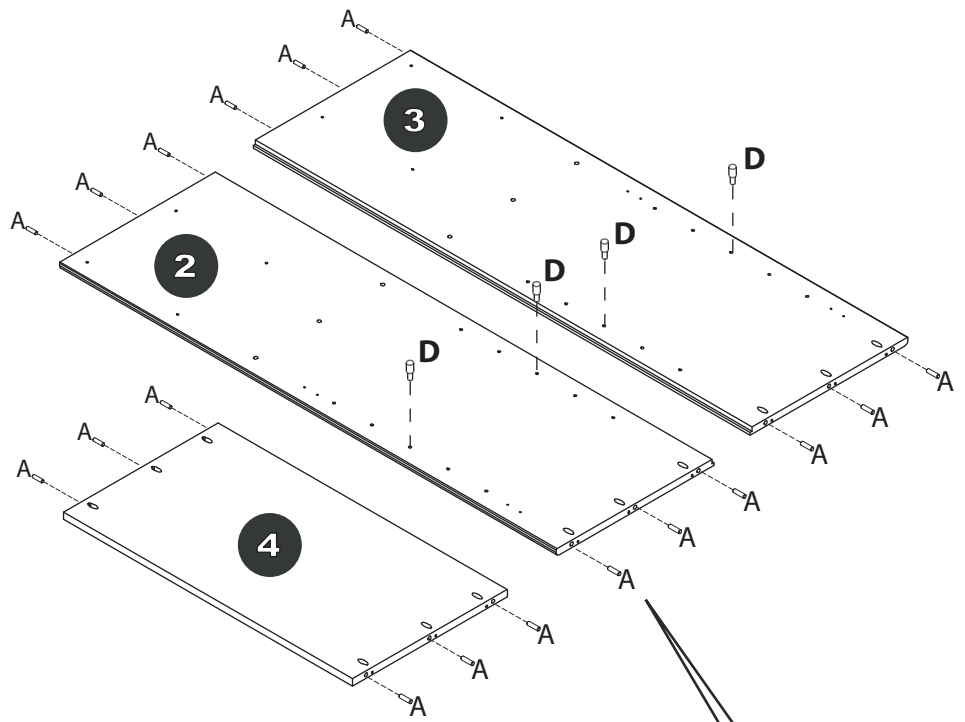
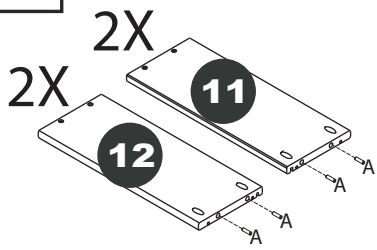
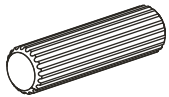


<p>A x 26</p>  <p>8,0 x 30mm</p>	<p>B x 40</p>  <p>3,5 x 30mm</p>	<p>C x 14</p>  <p>4,0 x 40mm</p>	<p>D x 04</p>  <p>4,0 x 16mm</p>	<p>E x 16</p>  <p>4,0 x 16mm</p>
<p>F x 24</p>  <p>3,0 x 16mm</p>	<p>G x 02</p>  <p>LEVÁ SADA</p>	<p>H x 02</p>  <p>PRAVÁ SADA</p>	<p>I x 06</p>  <p>6,0 x 10mm</p>	<p>J x 04</p>  <p>8,0 x 30mm</p>
<p>L x 12</p>  <p>8,0 x 30mm</p>	<p>M x 12</p>  <p>3,5 x 30mm</p>	<p>N x 04</p>  <p>4,0 x 40mm</p>		

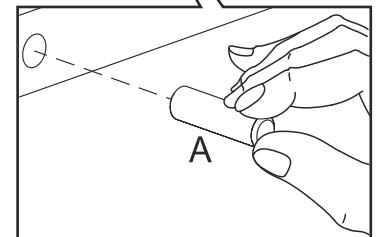
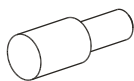
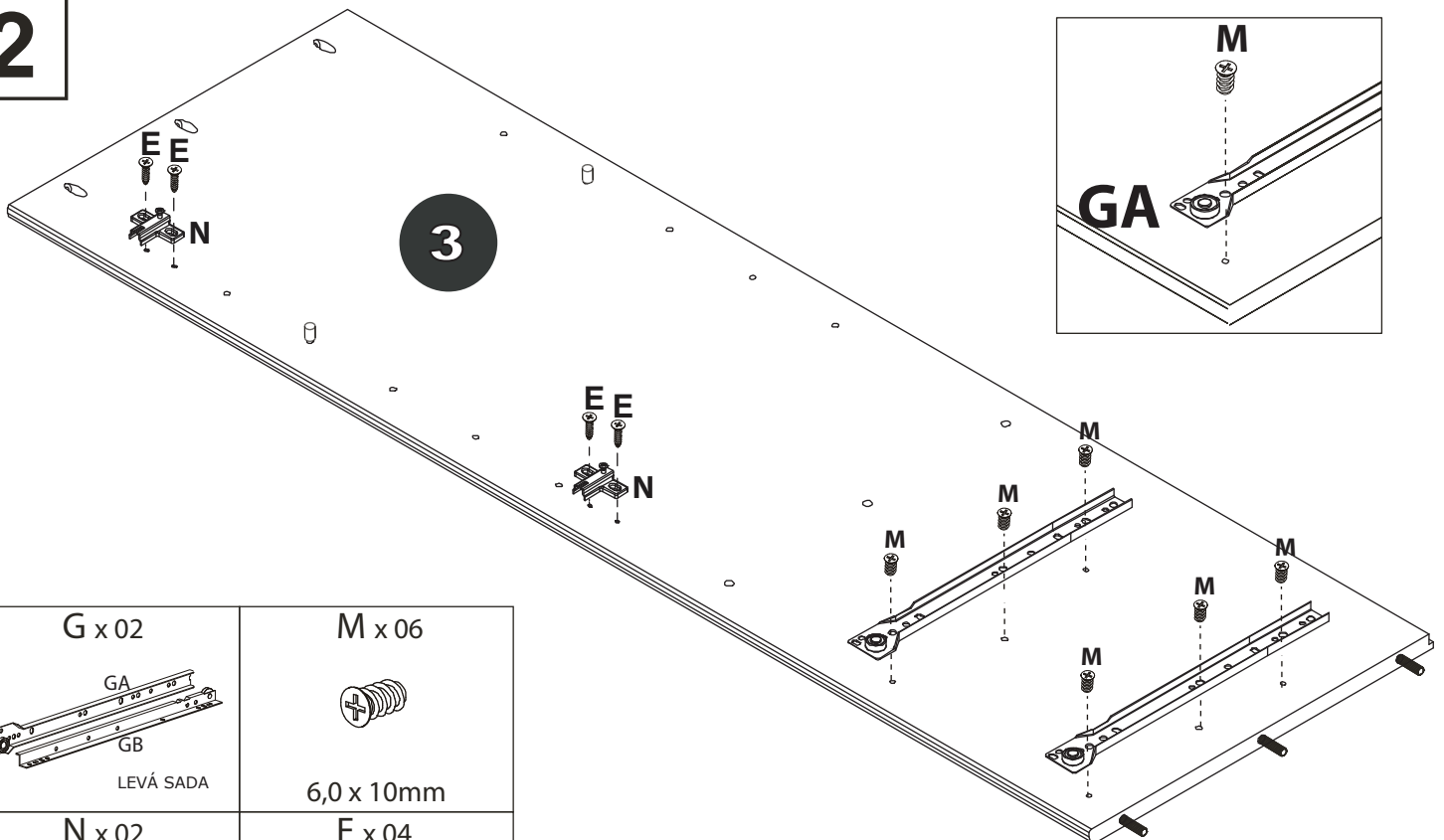
**1**

A x 26

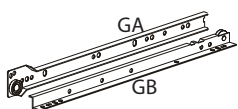


8,0 x 30mm

D x 04

**2**

G x 02



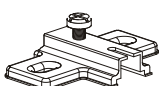
LEVÁ SADA

M x 06



6,0 x 10mm

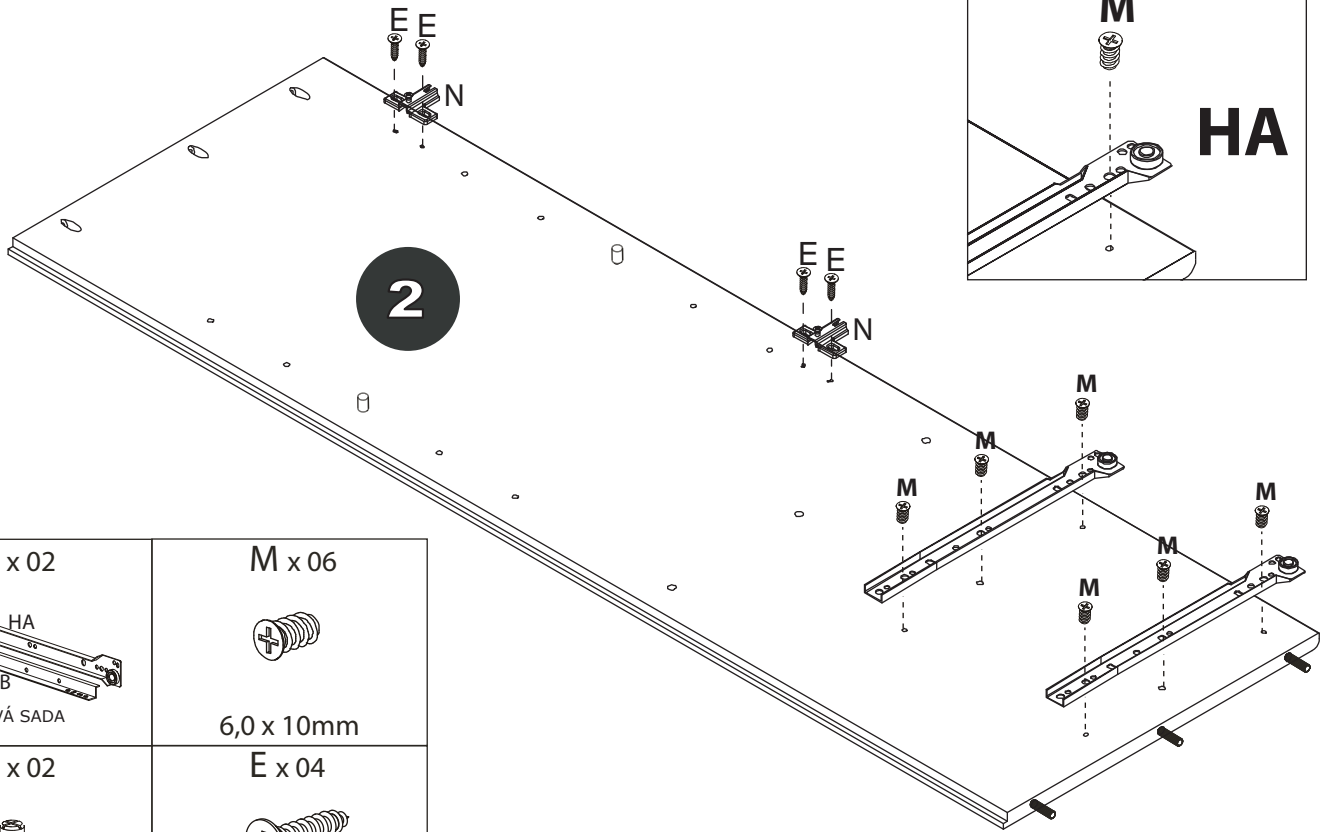
N x 02



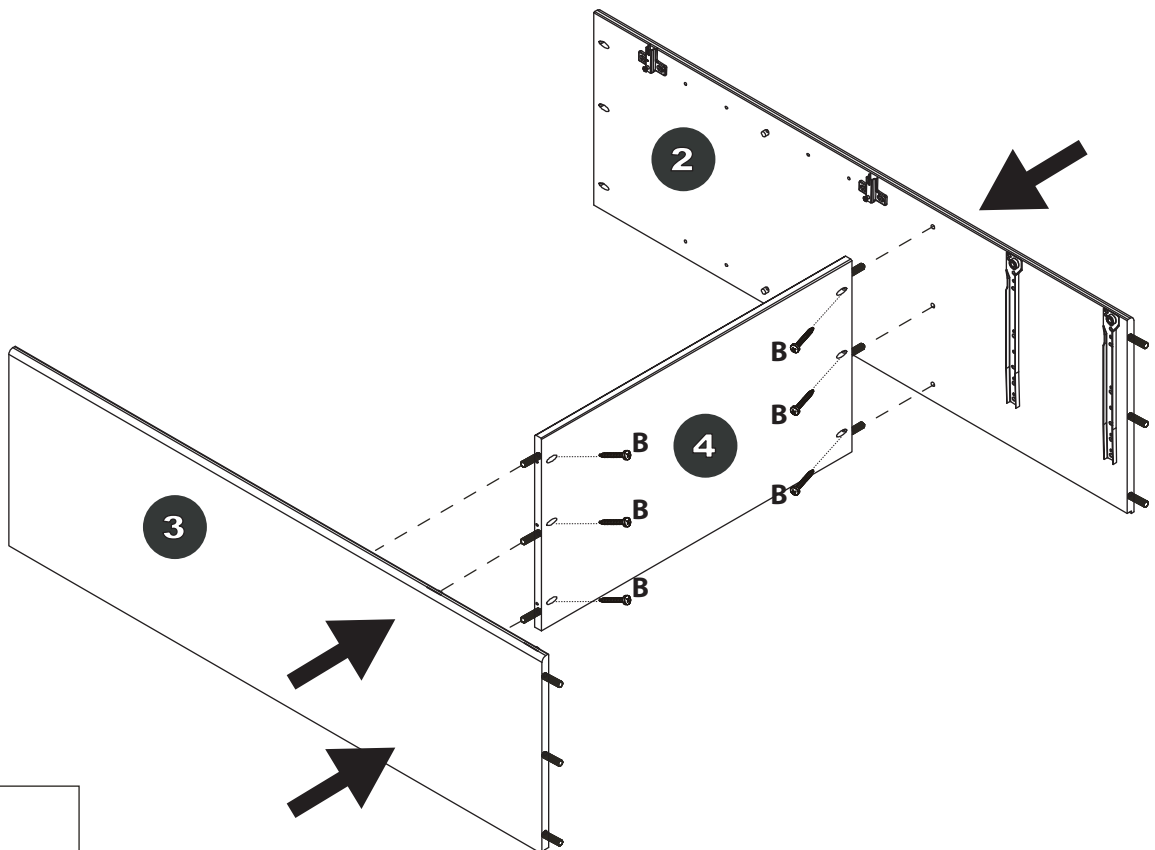
E x 04



4,0 x 16mm

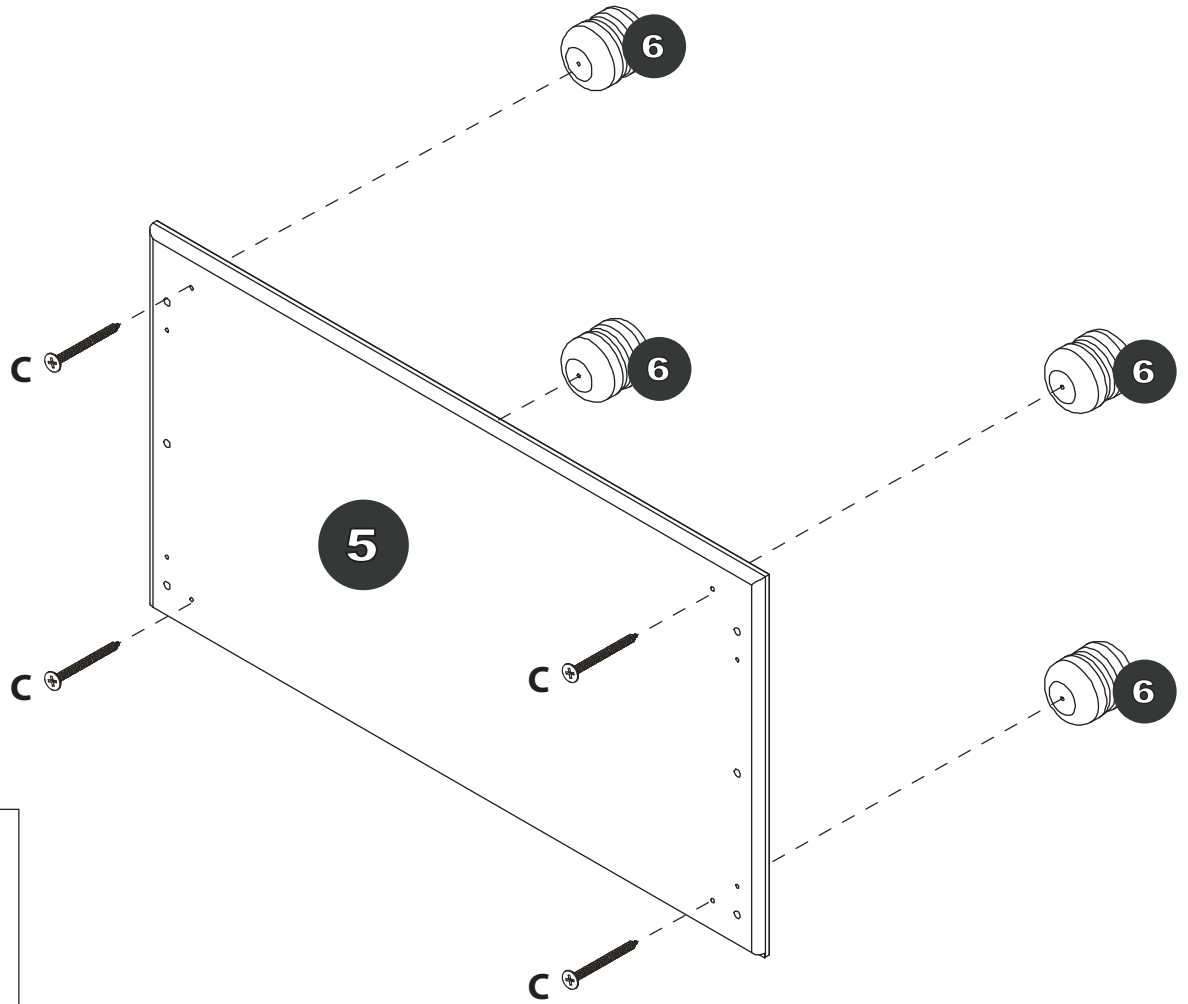
**3**

<p>H x 02</p> <p>HA HB PRAVÁ SADA</p>	<p>M x 06</p> <p>6,0 x 10mm</p>
<p>N x 02</p>	<p>E x 04</p> <p>4,0 x 16mm</p>

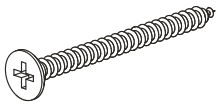
**4**

<p>B x 06</p> <p>3,5 x 30mm</p>
---------------------------------

5

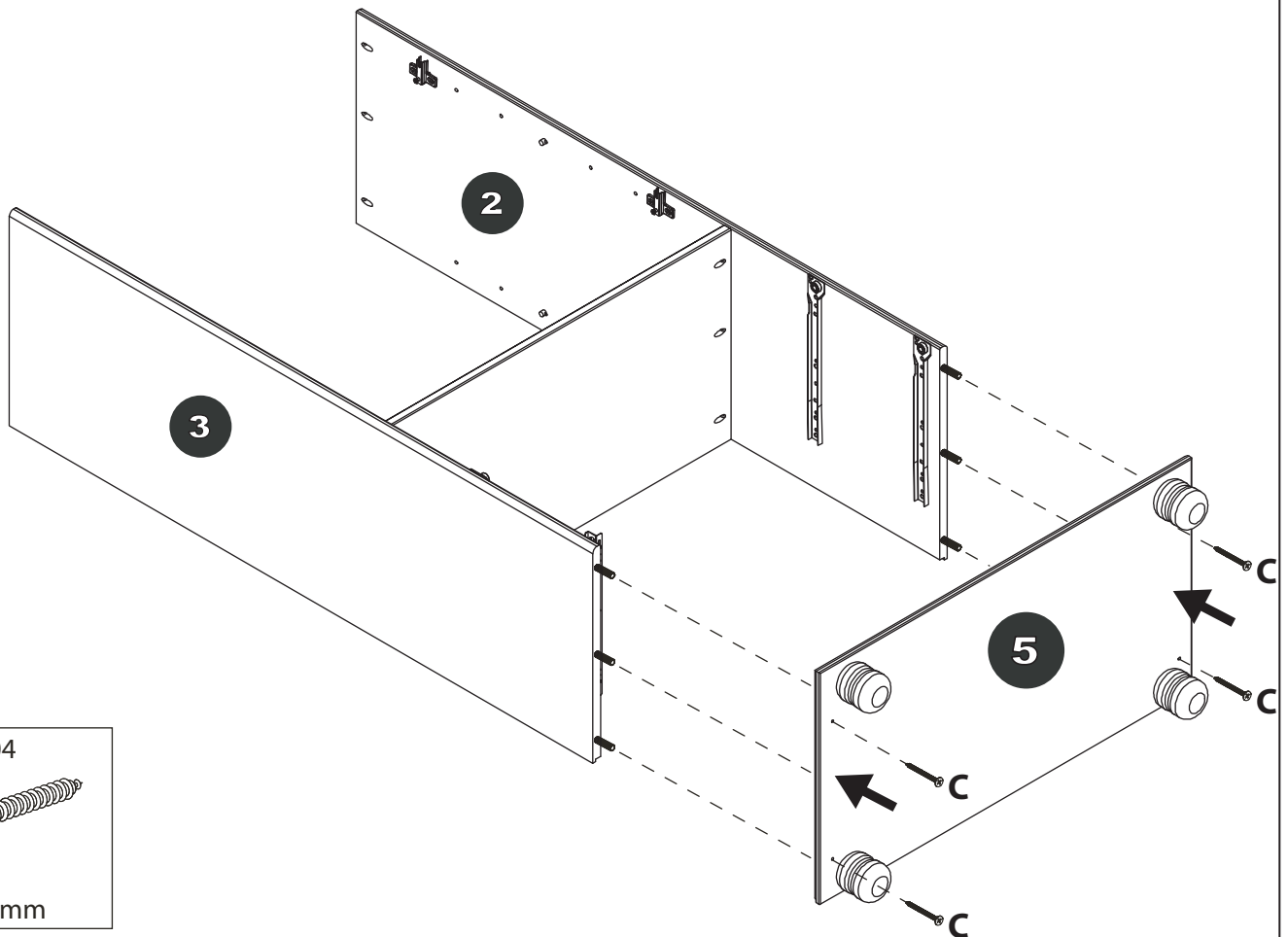


C x 04

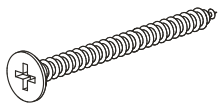


4,0 x 40mm

6

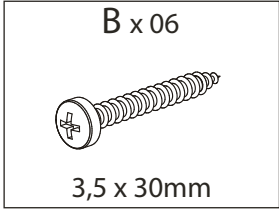
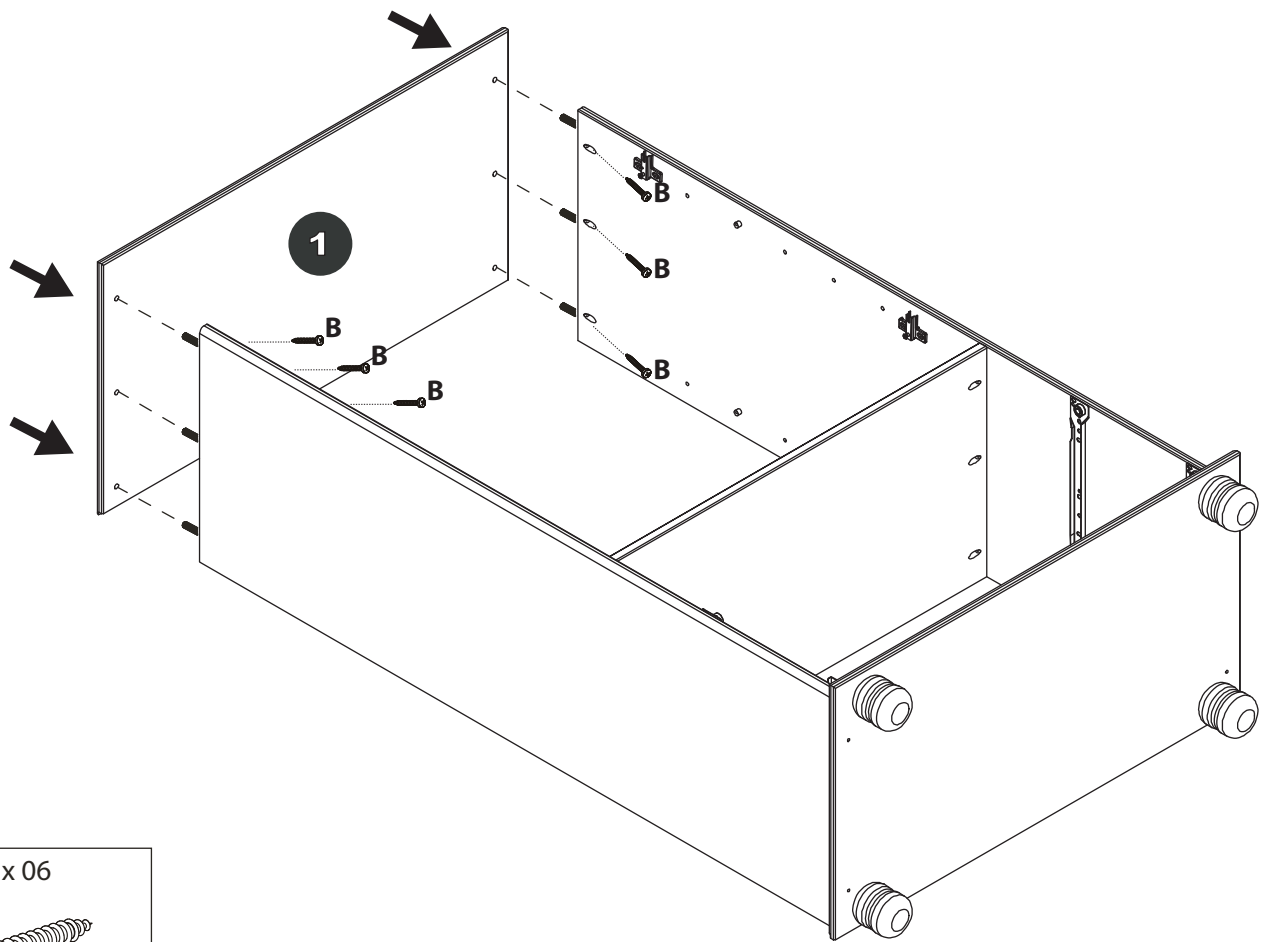


C x 04

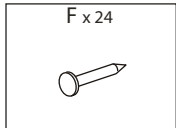
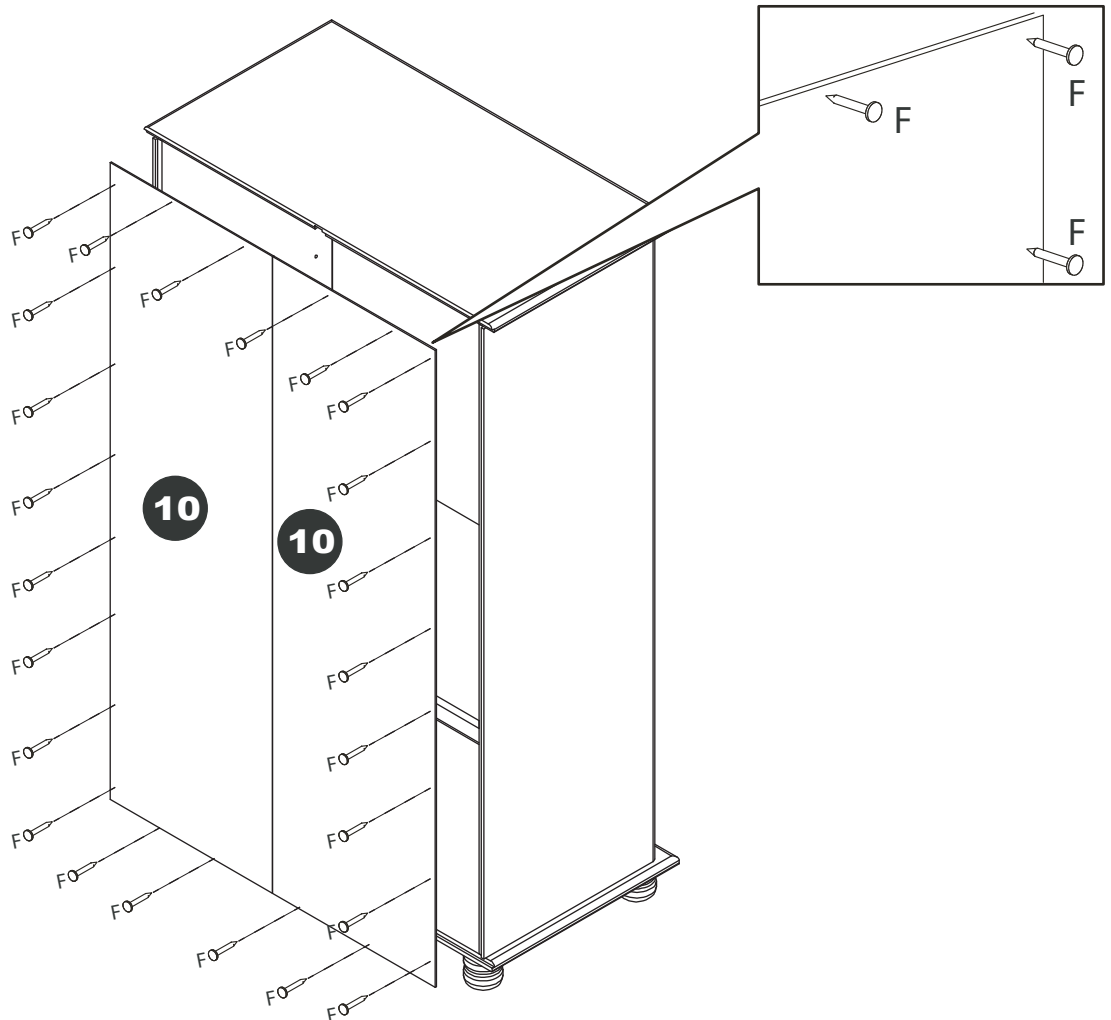


4,0 x 40mm

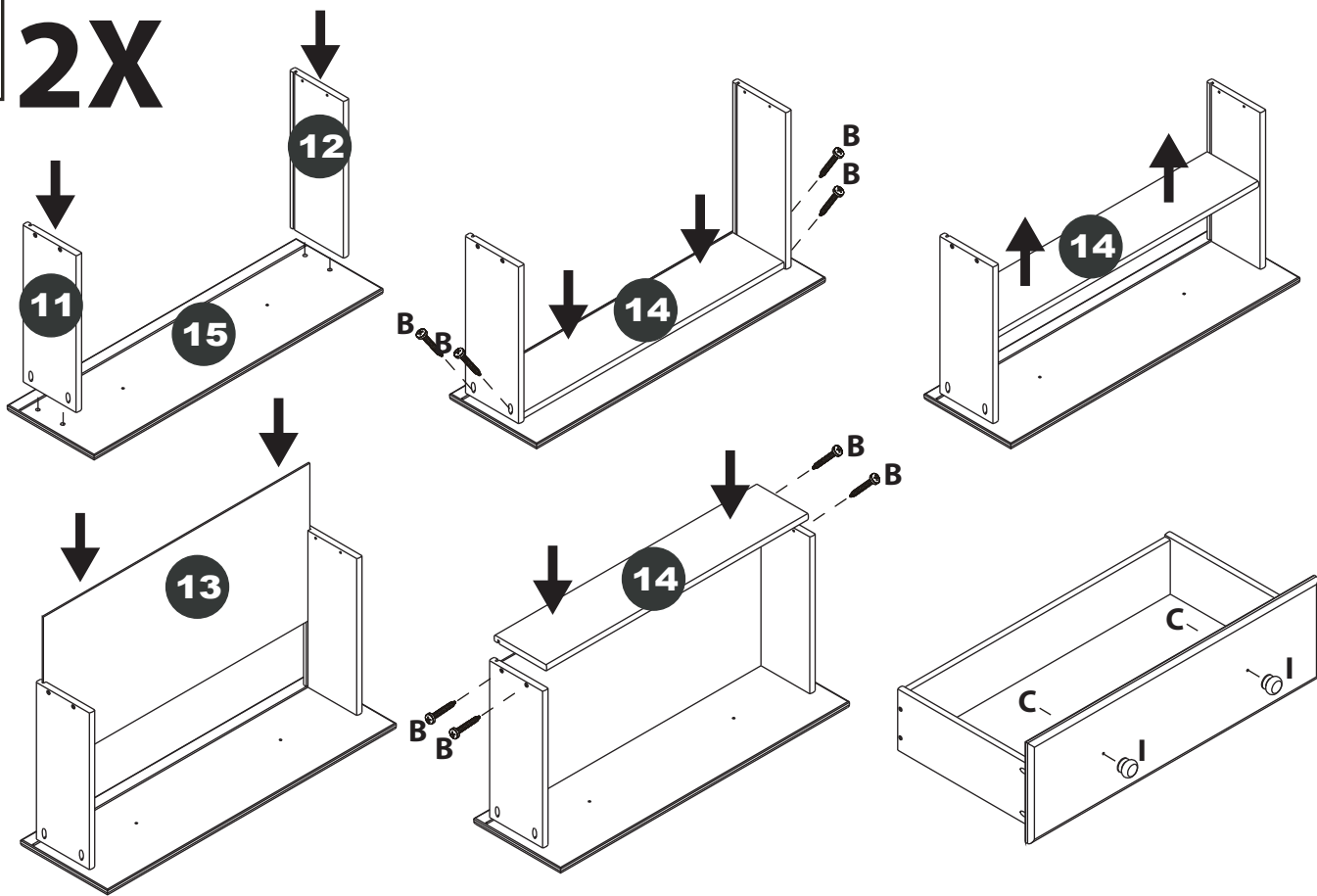
7






8

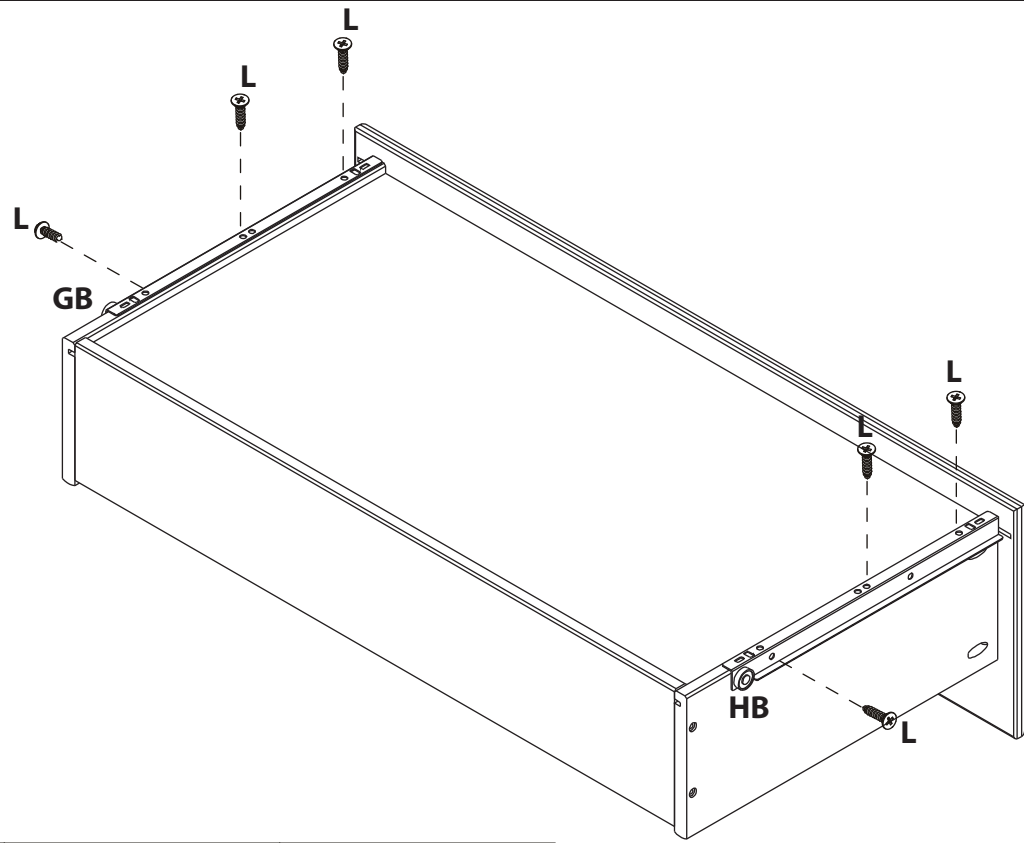


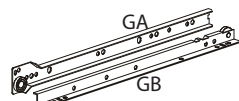
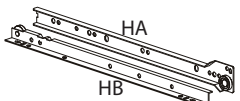
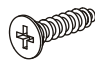
# 9 2X



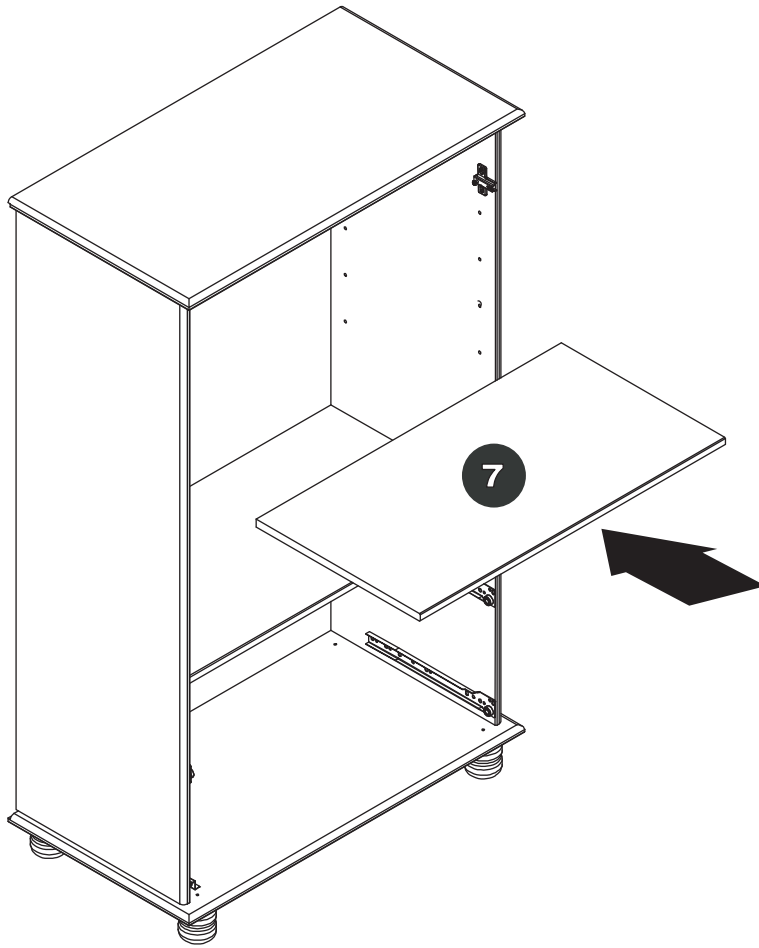
C x 04  4,0 x 40mm	B x 16  3,5 x 30mm	I x 04 
--	---	---

# 10 2X

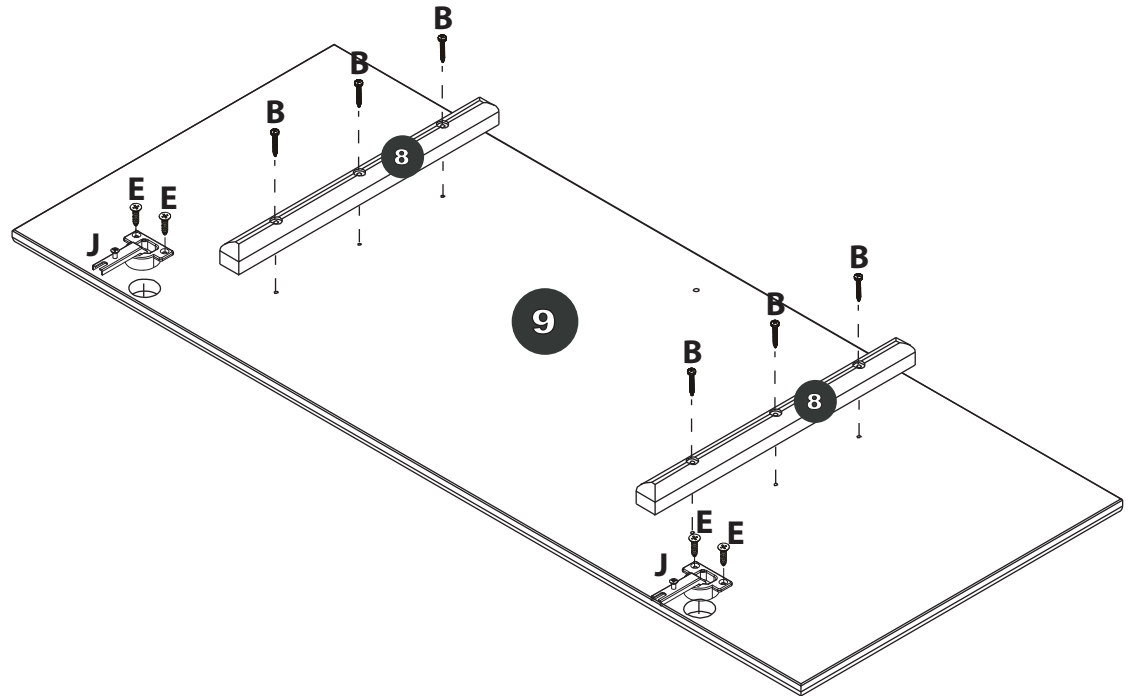


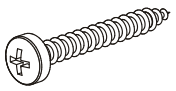

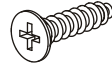
G x 02  GA GB LEVÁ SADA	H x 02  HA HB PRAVÁ SADA	L x 12  3,0 x 16mm
--	---	---

11



12  
2X



B x 12	J x 04	E x 08
		
3,5 x 30mm		4,0 x 16mm



