





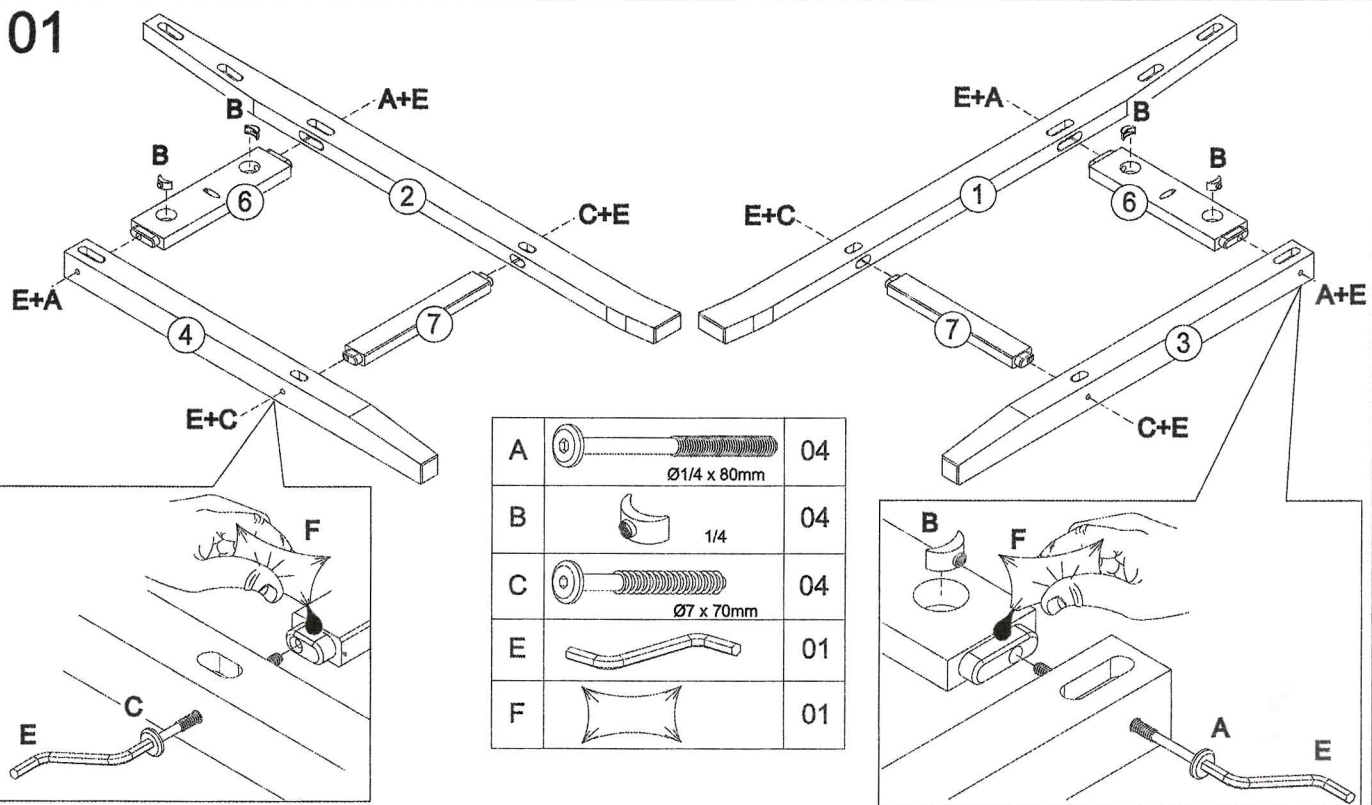
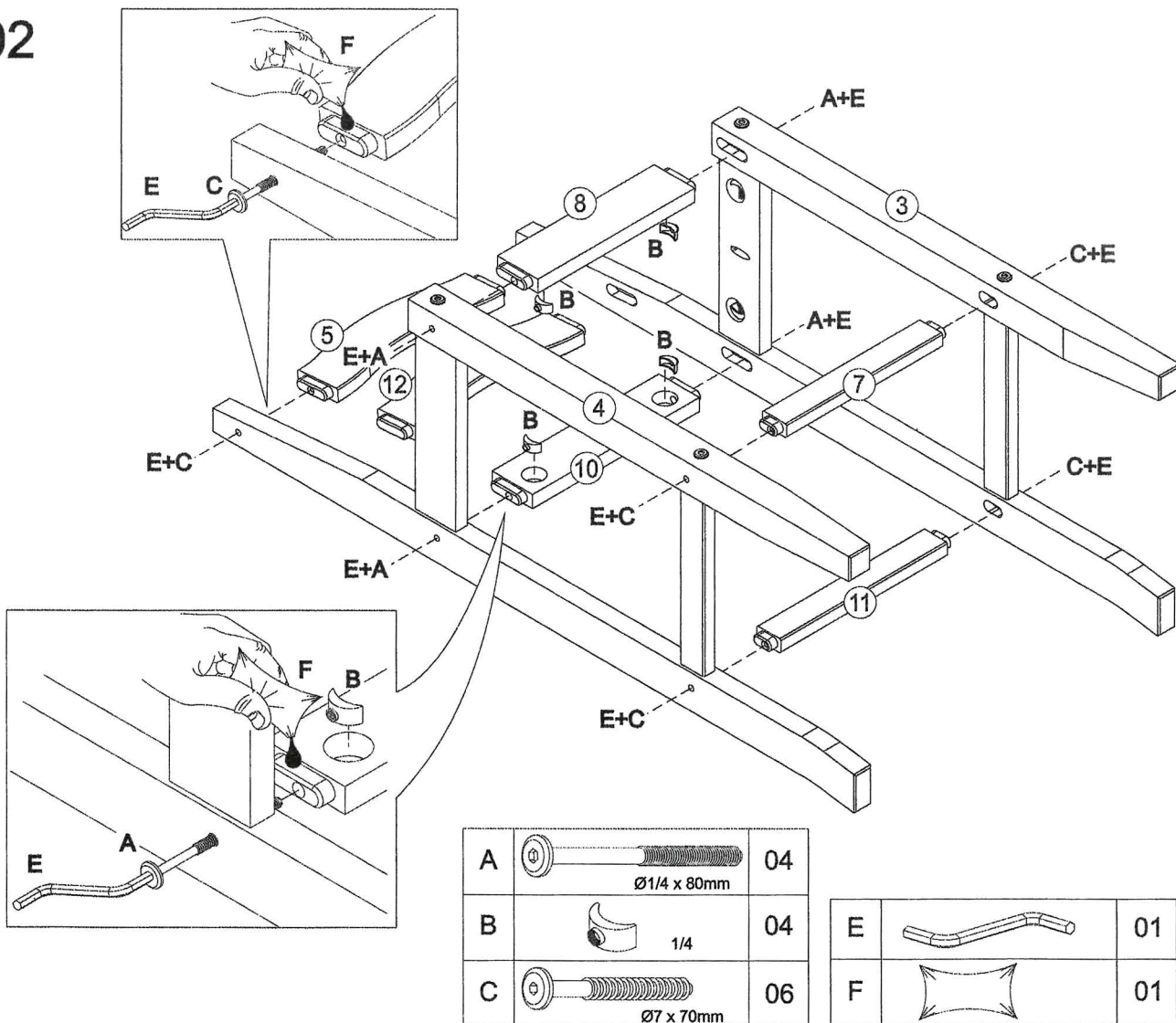


|   |                                                                                                    |    |   |                                                                                                    |    |
|---|----------------------------------------------------------------------------------------------------|----|---|----------------------------------------------------------------------------------------------------|----|
| A | <br>Ø1/4 x 80mm | 08 | D | <br>4,0 x 35mm | 04 |
| B | <br>1/4         | 08 | E |                | 01 |
| C | <br>Ø7 x 70mm   | 10 | F |                | 01 |

01



02



03

