
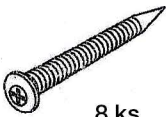




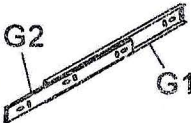


# 106A

|   |   |  |   |
|---|---|--|---|
| <b>A</b><br><br>8 ks<br>ST3.5X12mm | <b>B</b><br><br>8 ks<br>ST5X50mm | <b>C</b><br><br>4 ks<br>M4X25mm |   |
| <b>D</b><br><br>4 ks<br>M4         | <b>E</b><br><br>2 ks             | <b>F</b><br><br>2 ks            | <b>G</b><br><br>G2, G1 |

